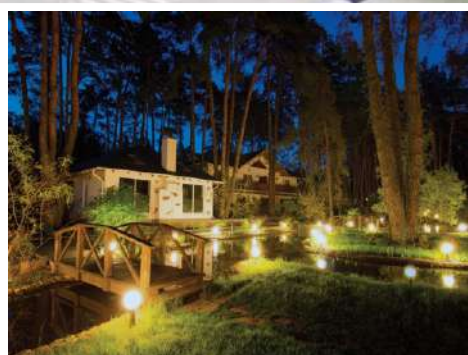


# SOLARHOUSE

## *SOLAR LIGHT*



SOLARHOUSE  
PRODUCT CATALOGUE

[www.solarhouse.com.vn](http://www.solarhouse.com.vn) - [www.phuonghoangco.com](http://www.phuonghoangco.com)

# PV-G001

# SOLARHOUSE

## Solar Lawn Lamp



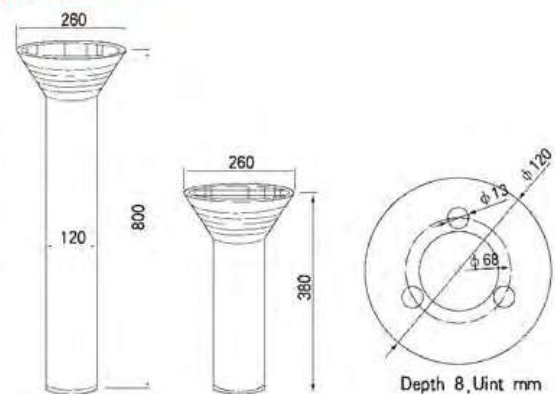
### Parameters

Item No.	PV-G001
Solar Panel	9V/5.5W Monocrystalline Solar Panel, Grade A
LED	3.5W, 10*18mil Epistar Chip
Lifespan of LED	More Than 50,000 Hours
Luminous Flux	385lm~435lm
Color Temperature	3000K~7500K
Beam Angle	120°
Battery	6.4V, 4.5AH LiFePO <sub>4</sub> Lithium Battery
Discharging Time	23 Hours
Charging Time	6h (AM1.5, 1000W/m <sup>2</sup> , 25°C)
Material	6063 Aluminum, PC
Working Temperature	-25°C ~ 55°C
Product Size	Φ 260*800* Φ 120mm
Package Size	840*310*310mm
Number of Packing	1 set/carton
Net Weight	3.4KG
Gross Weight	4.7KG

### Product Feature

- A Grade monocrystalline solar panel, high efficiency solar cells. Lifespan reaches more than 25 years.
- LiFePO<sub>4</sub> Lithium battery. Lifespan reaches more than 2,000 cycles.
- Full-automatic intelligent light control.
- Branded LED chips (Bridgelux, Epistar). Lifetime up to 50,000 hours.
- Die-casting aluminum light shell. Anti-corrosion, Anti-oxidation, High-impact PC cover.
- Easy installation, no cabling, no trenching. Labor cost saver, free maintenance.
- ≥ 23 working hours after fully charged.

### Size chart



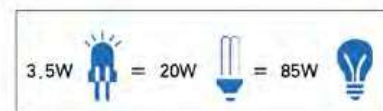
The height is customizable according to special requirement.



IP 65



CE RoHS





# PV-G002

# SOLARHOUSE

## Solar Lawn Lamp



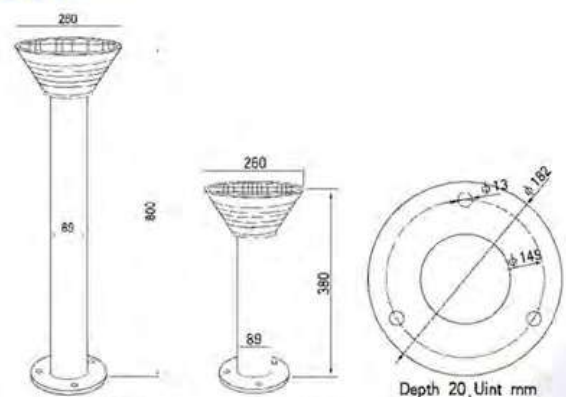
### Parameters

Item No.	PV-G002
Solar Panel	9V/5.5W Monocrystalline Solar Panel, Grade A
LED	3.5W, 10*18mil Epistar Chip
Lifespan of LED	More Than 50,000 Hours
Luminous Flux	385lm~435lm
Color Temperature	3000K~7500K
Beam Angle	120°
Battery	6.4V, 4.5AH LiFePO <sub>4</sub> Lithium Battery
Discharging Time	23 Hours
Charging Time	6h (AM1.5, 1000W/m <sup>2</sup> , 25°C)
Material	6063 Aluminum, PC
Working Temperature	-25°C ~ 55°C
Product Size	Φ 260*800* Φ 89* Φ 182mm
Package Size	840*310*310mm
Number of Packing	1 set/carton
Net Weight	3.3KG
Gross Weight	4.6KG

### Product Feature

- A Grade monocrystalline solar panel, high efficiency solar cells. Lifespan reaches more than 25 years.
- LiFePO<sub>4</sub> Lithium battery. Lifespan reaches more than 2,000 cycles.
- Full-automatic intelligent light control.
- Branded LED chips (Bridgelux, Epistar). Lifetime up to 50,000 hours.
- Die-casting aluminum light shell. Anti-corrosion, Anti-oxidation. High-impact PC cover.
- Easy installation, no cabling, no trenching. Labor cost saver, free maintenance.
- ≥ 23 working hours after fully charged.

### Size chart



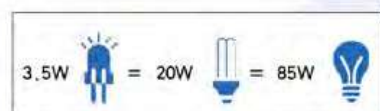
The height is customizable according to special requirement.



IP 65



RoHS



# PV-G003

# SOLARHOUSE

## Solar Lawn Lamp



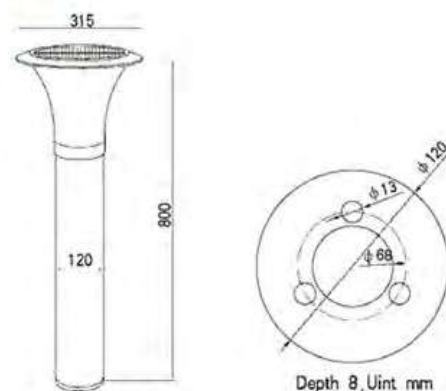
### Parameters

Item No.	PV-G003
Solar Panel	9V/5.5W Monocrystalline Solar Panel, Grade A
LED	3.5W, 10*18mil Epistar Chip
Lifespan of LED	More Than 50,000 Hours
Luminous Flux	385lm~435lm
Color Temperature	3000K~7500K
Beam Angle	120°
Battery	6.4V, 4.5AH LiFePO <sub>4</sub> Lithium Battery
Discharging Time	23 Hours
Charging Time	6h (AM1.5, 1000W/m <sup>2</sup> , 25°C)
Material	6063 Aluminum, PC
Working Temperature	-25°C ~ 55°C
Product Size	Φ 315*800* Φ 120mm
Package Size	840*350*380mm
Number of Packing	1 set/carton
Net Weight	4.5KG
Gross Weight	6KG

### Product Feature

- A Grade monocrystalline solar panel, high efficiency solar cells. Lifespan reaches more than 25 years.
- LiFePO<sub>4</sub> Lithium battery. Lifespan reaches more than 2,000 cycles.
- Full-automatic intelligent light control.
- Branded LED chips (Bridgelux, Epistar). Lifetime up to 50,000 hours.
- Die-casting aluminum light shell. Anti-corrosion, Anti-oxidation. High-impact PC cover.
- Easy installation, no cabling, no trenching. Labor cost saver, free maintenance.
- ≥ 23 working hours after fully charged.

### Size chart



IP 65



CE RoHS





# PV-G004

# SOLARHOUSE

## Solar Lawn Lamp



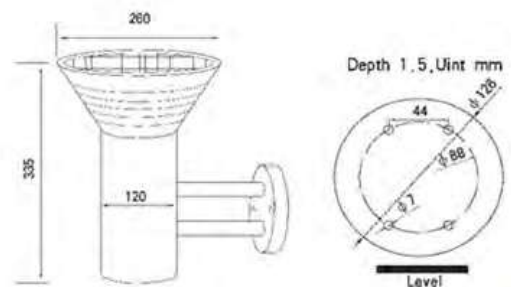
### Parameters

Item No.	PV-G004
Solar Panel	9V/5.5W Monocrystalline Solar Panel, Grade A
LED	3.5W, 10*18mil Epistar Chip
Lifespan of LED	More Than 50,000 Hours
Luminous Flux	385lm~435lm
Color Temperature	3000K~7500K
Beam Angle	120°
Battery	6.4V, 4.5AH LiFePO <sub>4</sub> Lithium Battery
Discharging Time	23 Hours
Charging Time	6h (AM1.5, 1000W/m <sup>2</sup> , 25°C)
Material	6063 Aluminum, PC
Working Temperature	-25°C ~ 55°C
Product Size	Φ 260*335* Φ 120*350mm
Package Size	445*415*300mm
Number of Packing	1 set/carton
Net Weight	2.5KG
Gross Weight	3.5KG

### Product Feature

- A Grade monocrystalline solar panel, high efficiency solar cells. Lifespan reaches more than 25 years.
- LiFePO<sub>4</sub> Lithium battery. Lifespan reaches more than 2,000 cycles.
- Full-automatic intelligent light control.
- Branded LED chips (Bridgelux, Epistar). Lifetime up to 50,000 hours.
- Die-casting aluminum light shell. Anti-corrosion, Anti-oxidation. High-impact PC cover.
- Easy installation, no cabling, no trenching. Labor cost saver, free maintenance.
- ≥ 23 working hours after fully charged.

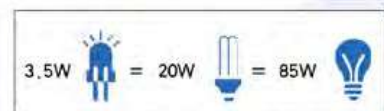
### Size chart



IP 65



RoHS



# PV-G005

# SOLARHOUSE

## Solar Lawn Lamp



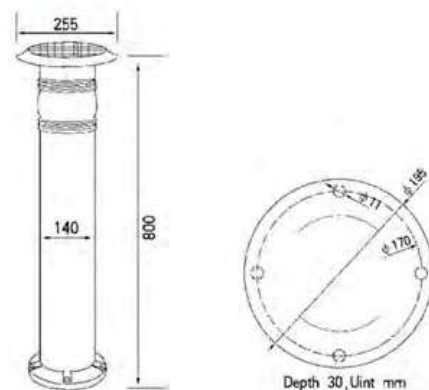
### Parameters

Item No.	PV-G005
Solar Panel	9V/3.5W Monocrystalline Solar Panel, Grade A
LED	1.8W, 10*18mil Epistar Chip
Lifespan of LED	More Than 50,000 Hours
Luminous Flux	235lm~255lm
Color Temperature	3000K~7500K
Beam Angle	120°
Battery	6.4V, 4.5AH LiFePO <sub>4</sub> Lithium Battery
Discharging Time	23 Hours
Charging Time	8h (AM1.5, 1000W/m <sup>2</sup> , 25°C)
Material	6063 Aluminum, PC
Working Temperature	-25°C ~ 55°C
Product Size	Φ 255*800* Φ 140* Φ 195mm
Package Size	840*310*310mm
Number of Packing	1 set/carton
Net Weight	4.7KG
Gross Weight	6KG

### Product Feature

- A Grade monocrystalline solar panel, high efficiency solar cells. Lifespan reaches more than 25 years.
- LiFePO<sub>4</sub> Lithium battery. Lifespan reaches more than 2,000 cycles.
- Full-automatic intelligent light control.
- Branded LED chips (Bridgelux, Epistar). Lifetime up to 50,000 hours.
- Die-casting aluminum light shell, Anti-corrosion, Anti-oxidation, High-impact PC cover.
- Easy installation, no cabling, no trenching. Labor cost saver, free maintenance.
- ≥ 23 working hours after fully charged.

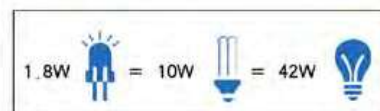
### Size chart



IP 65



CE RoHS





# PV-G006

# SOLARHOUSE

## Solar Lawn Lamp



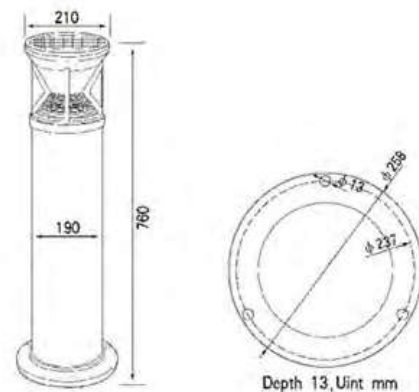
### Parameters

Item No.	PV-G006
Solar Panel	9V/3.5W Monocrystalline Solar Panel, Grade A
LED	1.8W, 10*18mil Epistar Chip
Lifespan of LED	More Than 50,000 Hours
Luminous Flux	235lm~255lm
Color Temperature	3000K~7500K
Beam Angle	120°
Battery	6.4V, 4.5AH LiFePO <sub>4</sub> Lithium Battery
Discharging Time	23 Hours
Charging Time	8h (AM1.5, 1000W/m <sup>2</sup> , 25°C)
Material	6063 Aluminum, PC
Working Temperature	-25°C ~ 55°C
Product Size	Φ 210*760* Φ 190* Φ 258mm
Package Size	800*310*310mm
Number of Packing	1 set/carton
Net Weight	4.9KG
Gross Weight	6.2KG

### Product Feature

- A Grade monocrystalline solar panel, high efficiency solar cells. Lifespan reaches more than 25 years.
- LiFePO<sub>4</sub> Lithium battery. Lifespan reaches more than 2,000 cycles.
- Full-automatic intelligent light control.
- Branded LED chips (Bridgelux, Epistar). Lifetime up to 50,000 hours.
- Die-casting aluminum light shell. Anti-corrosion, Anti-oxidation. High-impact PC cover.
- Easy installation, no cabling, no trenching. Labor cost saver, free maintenance.
- ≥ 23 working hours after fully charged.

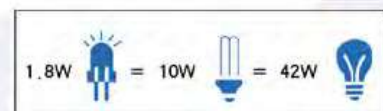
### Size chart



IP 65



RoHS



# PV-G007

# SOLARHOUSE

## Solar Lawn Lamp



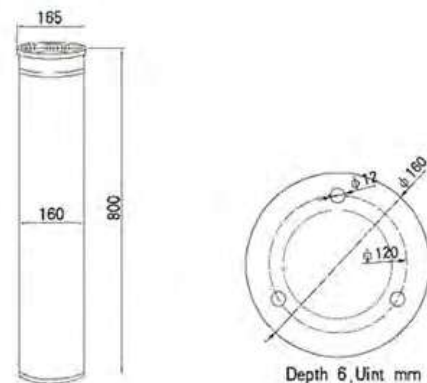
### Parameters

Item No.	PV-G007
Solar Panel	9V/3.5W Monocrystalline Solar Panel, Grade A
LED	1.8W, 10*18mil Epistar Chip
Lifespan of LED	More Than 50,000 Hours
Luminous Flux	235lm~255lm
Color Temperature	3000K~7500K
Beam Angle	120°
Battery	6.4V, 4.5AH LiFePO <sub>4</sub> Lithium Battery
Discharging Time	23 Hours
Charging Time	8h (AM1.5, 1000W/m <sup>2</sup> , 25°C)
Material	6063 Aluminum, PC
Working Temperature	-25°C ~ 55°C
Product Size	Φ 165*800* Φ 160mm
Package Size	840*210*210mm
Number of Packing	1 set/carton
Net Weight	5KG
Gross Weight	5.9KG

### Product Feature

- A Grade monocrystalline solar panel, high efficiency solar cells. Lifespan reaches more than 25 years.
- LiFePO<sub>4</sub> Lithium battery. Lifespan reaches more than 2,000 cycles.
- Full-automatic intelligent light control.
- Branded LED chips (Bridgelux, Epistar). Lifetime up to 50,000 hours.
- Die-casting aluminum light shell. Anti-corrosion, Anti-oxidation. High-impact PC cover.
- Easy installation, no cabling, no trenching. Labor cost saver, free maintenance.
- ≥ 23 working hours after fully charged.

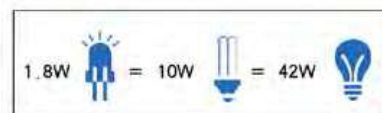
### Size chart



IP 65



CE RoHS





# PV-G008

# SOLARHOUSE

## Solar Lawn Lamp



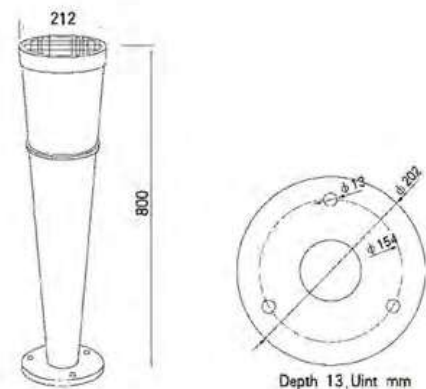
### Parameters

Item No.	PV-G008
Solar Panel	9V/3.5W Monocrystalline Solar Panel, Grade A
LED	1.8W, 10*18mil Epistar Chip
Lifespan of LED	More Than 50,000 Hours
Luminous Flux	235lm~255lm
Color Temperature	3000K~7500K
Beam Angle	120°
Battery	6.4V, 4.5AH LiFePO <sub>4</sub> Lithium Battery
Discharging Time	23 Hours
Charging Time	8h (AM1.5, 1000W/m <sup>2</sup> , 25°C)
Material	6063 Aluminum, PC
Working Temperature	-25°C ~ 55°C
Product Size	Φ 212*800* Φ 202mm
Package Size	860*280*280mm
Number of Packing	1 set/carton
Net Weight	5.1KG
Gross Weight	6.3KG

### Product Feature

- A Grade monocrystalline solar panel, high efficiency solar cells. Lifespan reaches more than 25 years.
- LiFePO<sub>4</sub> Lithium battery. Lifespan reaches more than 2,000 cycles.
- Full-automatic intelligent light control.
- Branded LED chips (Bridgelux, Epistar). Lifetime up to 50,000 hours.
- Die-casting aluminum light shell. Anti-corrosion, Anti-oxidation. High-impact PC cover.
- Easy installation, no cabling, no trenching. Labor cost saver, free maintenance.
- ≥ 23 working hours after fully charged.

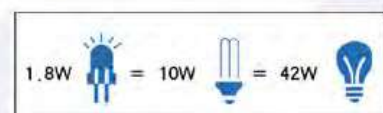
### Size chart



IP 65



RoHS



# PV-G009

# SOLARHOUSE

## Solar Lawn Lamp



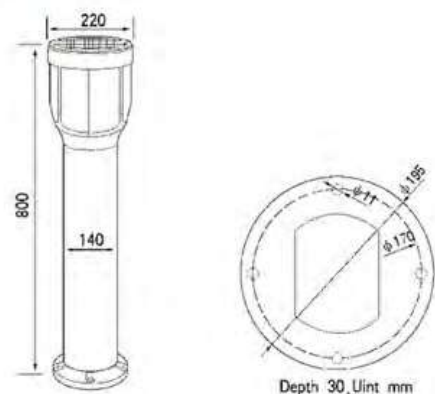
### Parameters

Item No.	PV-G009
Solar Panel	9V/3.5W Monocrystalline Solar Panel, Grade A
LED	1.8W, 10*18mil Epistar Chip
Lifespan of LED	More Than 50,000 Hours
Luminous Flux	235lm~255lm
Color Temperature	3000K~7500K
Beam Angle	120°
Battery	6.4V, 4.5AH LiFePO <sub>4</sub> Lithium Battery
Discharging Time	23 Hours
Charging Time	8h (AM1.5, 1000W/m <sup>2</sup> , 25°C)
Material	6063 Aluminum, PC
Working Temperature	-25°C ~ 55°C
Product Size	Φ 220*800* Φ 140* Φ 195mm
Package Size	860*280*280mm
Number of Packing	1 set/carton
Net Weight	5.1KG
Gross Weight	6.3KG

### Product Feature

- A Grade monocrystalline solar panel, high efficiency solar cells. Lifespan reaches more than 25 years.
- LiFePO<sub>4</sub> Lithium battery. Lifespan reaches more than 2,000 cycles.
- Full-automatic intelligent light control.
- Branded LED chips (Bridgelux, Epistar). Lifetime up to 50,000 hours.
- Die-casting aluminum light shell. Anti-corrosion, Anti-oxidation. High-impact PC cover.
- Easy installation, no cabling, no trenching. Labor cost saver, free maintenance.
- ≥ 23 working hours after fully charged.

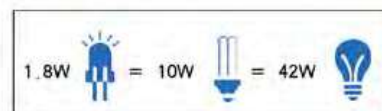
### Size chart



IP 65



CE RoHS





# PV-G010

# SOLARHOUSE

## Solar Lawn Lamp



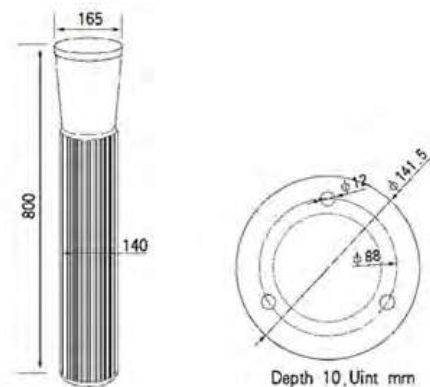
### Parameters

Item No.	PV-G010
Solar Panel	9V/3.5W Monocrystalline Solar Panel, Grade A
LED	1.8W, 10*18mil Epistar Chip
Lifespan of LED	More Than 50,000 Hours
Luminous Flux	235lm~255lm
Color Temperature	3000K~7500K
Beam Angle	120°
Battery	6.4V, 4.5AH LiFePO <sub>4</sub> Lithium Battery
Discharging Time	23 Hours
Charging Time	8h (AM1.5, 1000W/m <sup>2</sup> , 25°C)
Material	6063 Aluminum, PC
Working Temperature	-25°C ~ 55°C
Product Size	Φ 165*800* Φ 140mm
Package Size	840*210*210mm
Number of Packing	1 set/carton
Net Weight	3.9KG
Gross Weight	4.8KG

### Product Feature

- A Grade monocrystalline solar panel, high efficiency solar cells. Lifespan reaches more than 25 years.
- LiFePO<sub>4</sub> Lithium battery. Lifespan reaches more than 2,000 cycles.
- Full-automatic intelligent light control.
- Branded LED chips (Bridgelux, Epistar). Lifetime up to 50,000 hours.
- Die-casting aluminum light shell. Anti-corrosion, Anti-oxidation. High-impact PC cover.
- Easy installation, no cabling, no trenching. Labor cost saver, free maintenance.
- ≥ 23 working hours after fully charged.

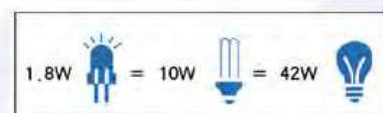
### Size chart



IP 65



RoHS



# PV-G011

# SOLARHOUSE

## Solar Lawn Lamp



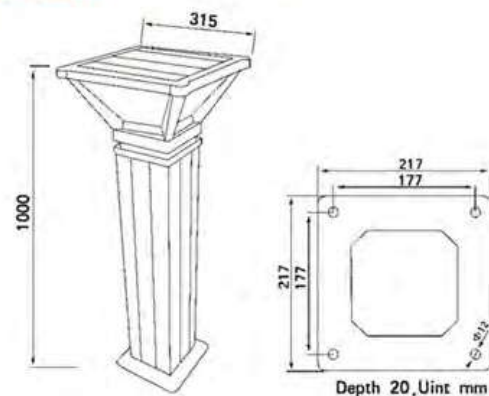
### Parameters

Item No.	PV-G011
Solar Panel	9V/7W Monocrystalline Solar Panel, Grade A
LED	4W, 10*18mil Epistar Chip
Lifespan of LED	More Than 50,000 Hours
Luminous Flux	440lm~500lm
Color Temperature	3000K~7500K
Beam Angle	120°
Battery	6.4V, 4.5AH LiFePO <sub>4</sub> Lithium Battery
Discharging Time	23 Hours
Charging Time	4h (AM1.5, 1000W/m <sup>2</sup> , 25°C)
Material	6063 Aluminum, PC
Working Temperature	-25°C ~ 55°C
Product Size	315*1000*217mm
Package Size	1045*365*365mm
Number of Packing	1 set/carton
Net Weight	7.1KG
Gross Weight	9.1KG

### Product Feature

- A Grade monocrystalline solar panel, high efficiency solar cells. Lifespan reaches more than 25 years.
- LiFePO<sub>4</sub> Lithium battery. Lifespan reaches more than 2,000 cycles.
- Full-automatic intelligent light control.
- Branded LED chips (Bridgelux, Epistar). Lifetime up to 50,000 hours.
- Die-casting aluminum light shell. Anti-corrosion, Anti-oxidation. High-impact PC cover.
- Easy installation, no cabling, no trenching. Labor cost saver, free maintenance.
- ≥ 23 working hours after fully charged.

### Size chart



IP 65



CE RoHS





# PV-G012

# SOLARHOUSE

## Solar Lawn Lamp



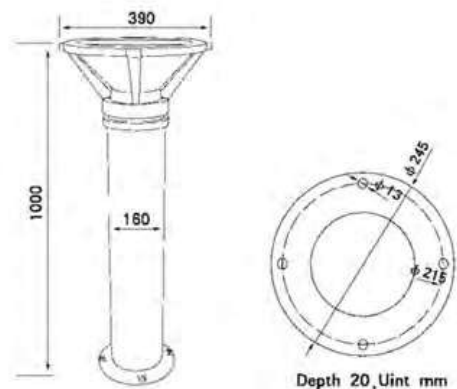
### Parameters

Item No.	PV-G012
Solar Panel	9V/7W Monocrystalline Solar Panel, Grade A
LED	4W, 10*18mil Epistar Chip
Lifespan of LED	More Than 50,000 Hours
Luminous Flux	440lm~500lm
Color Temperature	3000K~7500K
Beam Angle	120°
Battery	6.4V, 4.5AH LiFePO <sub>4</sub> Lithium Battery
Discharging Time	23 Hours
Charging Time	4h (AM1.5, 1000W/m <sup>2</sup> , 25°C)
Material	6063 Aluminum, PC
Working Temperature	-25°C ~ 55°C
Product Size	Φ 390*1000* Φ 160* Φ 245mm
Package Size	1045*440*440mm
Number of Packing	1 set/carton
Net Weight	7.2KG
Gross Weight	9.6KG

### Product Feature

- A Grade monocrystalline solar panel, high efficiency solar cells. Lifespan reaches more than 25 years.
- LiFePO<sub>4</sub> Lithium battery. Lifespan reaches more than 2,000 cycles.
- Full-automatic intelligent light control.
- Branded LED chips (Bridgelux, Epistar). Lifetime up to 50,000 hours.
- Die-casting aluminum light shell. Anti-corrosion, Anti-oxidation. High-impact PC cover.
- Easy installation, no cabling, no trenching. Labor cost saver, free maintenance.
- ≥ 23 working hours after fully charged.

### Size chart



IP 65



RoHS



# PV-G013

# SOLARHOUSE

## Solar Lawn Lamp



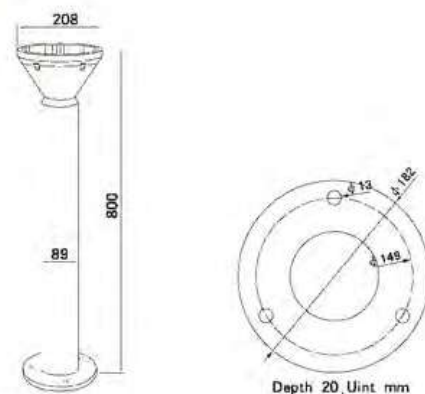
### Parameters

Item No.	PV-G013
Solar Panel	9V/3.5W Monocrystalline Solar Panel, Grade A
LED	1.8W, 10*18mil Epistar Chip
Lifespan of LED	More Than 50,000 Hours
Luminous Flux	235lm~255lm
Color Temperature	3000K~7500K
Beam Angle	120°
Battery	6.4V, 4.5AH LiFePO <sub>4</sub> Lithium Battery
Discharging Time	23 Hours
Charging Time	8h (AM1.5, 1000W/m <sup>2</sup> , 25°C)
Material	6063 Aluminum, PC
Working Temperature	-25°C ~ 55°C
Product Size	Φ 208*800* Φ 89* Φ 182mm
Package Size	850*270*270mm
Number of Packing	1 set/carton
Net Weight	3KG
Gross Weight	4.2KG

### Product Feature

- A Grade monocrystalline solar panel, high efficiency solar cells. Lifespan reaches more than 25 years.
- LiFePO<sub>4</sub> Lithium battery. Lifespan reaches more than 2,000 cycles.
- Full-automatic intelligent light control.
- Branded LED chips (Bridgelux, Epistar). Lifetime up to 50,000 hours.
- Die-casting aluminum light shell. Anti-corrosion, Anti-oxidation, High-impact PC cover.
- Easy installation, no cabling, no trenching. Labor cost saver, free maintenance.
- ≥ 23 working hours after fully charged.

### Size chart



IP 65



CE RoHS



# PV-G014

# SOLARHOUSE

## Solar Lawn Lamp



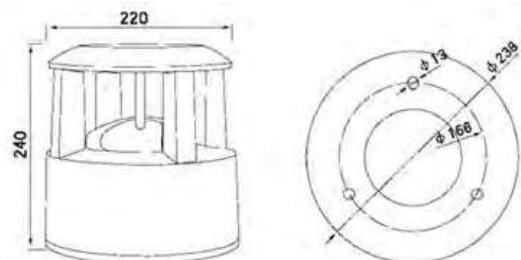
### Parameters

Item No.	PV-G014
Solar Panel	9V/3.5W Monocrystalline Solar Panel, Grade A
LED	1.8W, 10*18mil Epistar Chip
Lifespan of LED	More Than 50,000 Hours
Luminous Flux	235lm~255lm
Color Temperature	3000K~7500K
Beam Angle	120°
Battery	6.4V, 4.5AH LiFePO <sub>4</sub> Lithium Battery
Discharging Time	23 Hours
Charging Time	8h (AM1.5, 1000W/m <sup>2</sup> , 25°C)
Material	6063 Aluminum, PC
Working Temperature	-25°C ~ 55°C
Product Size	Φ 220*240* Φ 240mm
Package Size	295*295*310mm
Number of Packing	1 set/carton
Net Weight	3.9KG
Gross Weight	4.6KG

### Product Feature

- A Grade monocrystalline solar panel, high efficiency solar cells. Lifespan reaches more than 25 years.
- LiFePO<sub>4</sub> Lithium battery. Lifespan reaches more than 2,000 cycles.
- Full-automatic intelligent light control.
- Branded LED chips (Bridgelux, Epistar). Lifetime up to 50,000 hours.
- Die-casting aluminum light shell. Anti-corrosion, Anti-oxidation. High-impact PC cover.
- Easy installation, no cabling, no trenching. Labor cost saver, free maintenance.
- ≥ 23 working hours after fully charged.

### Size chart



IP 65



RoHS





# PV-G015

# SOLARHOUSE

## Solar Lawn Lamp



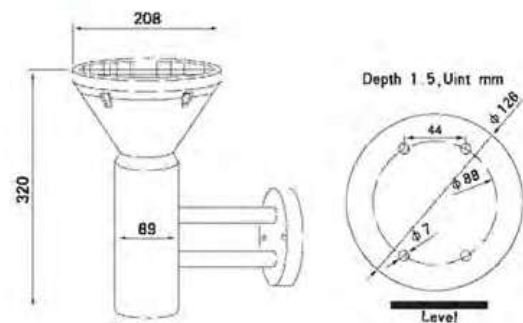
### Parameters

Item No.	PV-G015
Solar Panel	9V/3.5W Monocrystalline Solar Panel, Grade A
LED	1.8W, 10*18mil Epistar Chip
Lifespan of LED	More Than 50,000 Hours
Luminous Flux	235lm~255lm
Color Temperature	3000K~7500K
Beam Angle	120°
Battery	6.4V, 4.5AH LiFePO <sub>4</sub> Lithium Battery
Discharging Time	23 Hours
Charging Time	8h (AM1.5, 1000W/m <sup>2</sup> , 25°C)
Material	6063 Aluminum, PC
Working Temperature	-25°C ~ 55°C
Product Size	Φ 208*320* Φ 307mm
Package Size	370*370*250mm
Number of Packing	1 set/carton
Net Weight	2.3KG
Gross Weight	3.1KG

### Product Feature

- A Grade monocrystalline solar panel, high efficiency solar cells. Lifespan reaches more than 25 years.
- LiFePO<sub>4</sub> Lithium battery. Lifespan reaches more than 2,000 cycles.
- Full-automatic intelligent light control.
- Branded LED chips (Bridgelux, Epistar). Lifetime up to 50,000 hours.
- Die-casting aluminum light shell. Anti-corrosion, Anti-oxidation. High-impact PC cover.
- Easy installation, no cabling, no trenching. Labor cost saver, free maintenance.
- ≥ 23 working hours after fully charged.

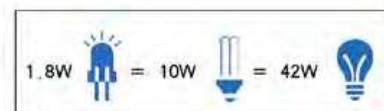
### Size chart



IP 65



CE RoHS



# PV-G016

# SOLARHOUSE

## Solar Lawn Lamp



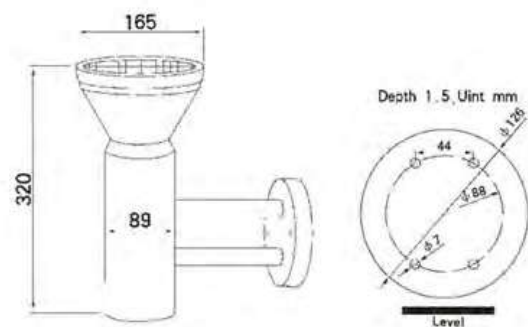
### Parameters

Item No.	PV-G016
Solar Panel	9V/3.5W Monocrystalline Solar Panel, Grade A
LED	1.8W, 10*18mil Epistar Chip
Lifespan of LED	More Than 50,000 Hours
Luminous Flux	235lm~255lm
Color Temperature	3000K~7500K
Beam Angle	120°
Battery	6.4V, 4.5AH LiFePO <sub>4</sub> Lithium Battery
Discharging Time	23 Hours
Charging Time	8h (AM1.5, 1000W/m <sup>2</sup> , 25°C)
Material	6063 Aluminum, PC
Working Temperature	-25°C ~ 55°C
Product Size	Φ 165*320*285mm
Package Size	370*370*250mm
Number of Packing	1 set/carton
Net Weight	2.1KG
Gross Weight	2.9KG

### Product Feature

- A Grade monocrystalline solar panel, high efficiency solar cells. Lifespan reaches more than 25 years.
- LiFePO<sub>4</sub> Lithium battery. Lifespan reaches more than 2,000 cycles.
- Full-automatic intelligent light control.
- Branded LED chips (Bridgelux, Epistar). Lifetime up to 50,000 hours.
- Die-casting aluminum light shell. Anti-corrosion, Anti-oxidation. High-impact PC cover.
- Easy installation, no cabling, no trenching. Labor cost saver, free maintenance.
- ≥ 23 working hours after fully charged.

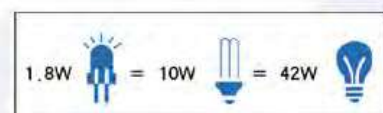
### Size chart



IP 65



RoHS



# PV-G017

# SOLARHOUSE

## Solar Lawn Lamp



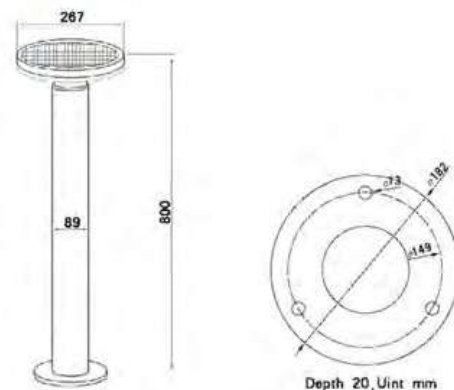
### Parameters

Item No.	PV-G017
Solar Panel	9V/5.5W Monocrystalline Solar Panel, Grade A
LED	3.5W, 10*18mil Epistar Chip
Lifespan of LED	More Than 50,000 Hours
Luminous Flux	385lm~435lm
Color Temperature	3000K~7500K
Beam Angle	120°
Battery	6.4V, 4.5AH LiFePO <sub>4</sub> Lithium Battery
Discharging Time	23 Hours
Charging Time	6h (AM1.5, 1000W/m <sup>2</sup> , 25°C)
Material	6063 Aluminum, Tempered glass
Working Temperature	-25°C ~ 55°C
Product Size	φ 267*800* φ 89* φ 182mm
Package Size	850*310*310mm
Number of Packing	1 set/carton
Net Weight	5.3KG
Gross Weight	6.7KG

### Product Feature

- A Grade monocrystalline solar panel, high efficiency solar cells. Lifespan reaches more than 25 years.
- LiFePO<sub>4</sub> Lithium battery. Lifespan reaches more than 2,000 cycles.
- Full-automatic intelligent light control.
- Branded LED chips (Bridgelux, Epistar). Lifetime up to 50,000 hours.
- Die-casting aluminum light shell. Anti-corrosion, Anti-oxidation. High-impact tempered glass cover.
- Easy installation, no cabling, no trenching. Labor cost saver, free maintenance.
- ≥ 23 working hours after fully charged.

### Size chart



IP 65



CE RoHS





# PV-G018

# SOLARHOUSE

## Solar Lawn Lamp



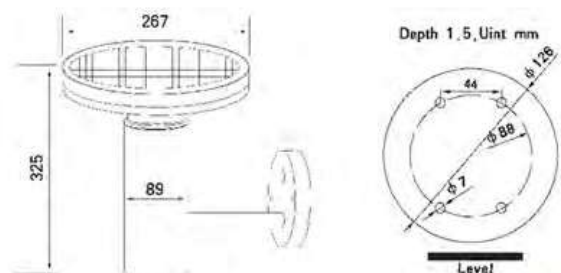
### Parameters

Item No.	PV-G018
Solar Panel	9V/5.5W Monocrystalline Solar Panel, Grade A
LED	3.5W, 10*18mil Epistar Chip
Lifespan of LED	More Than 50,000 Hours
Luminous Flux	385lm~435lm
Color Temperature	3000K~7500K
Beam Angle	120°
Battery	6.4V, 4.5AH LiFePO <sub>4</sub> Lithium Battery
Discharging Time	23 Hours
Charging Time	6h (AM1.5, 1000W/m <sup>2</sup> , 25°C)
Material	6063 Aluminum, Tempered glass
Working Temperature	-25°C ~ 55°C
Product Size	Φ 267*325*360mm
Package Size	445*415*300mm
Number of Packing	1 set/carton
Net Weight	4.5KG
Gross Weight	5.5KG

### Product Feature

- A Grade monocrystalline solar panel, high efficiency solar cells. Lifespan reaches more than 25 years.
- LiFePO<sub>4</sub> Lithium battery. Lifespan reaches more than 2,000 cycles.
- Full-automatic intelligent light control.
- Branded LED chips (Bridgelux, Epistar). Lifetime up to 50,000 hours.
- Die-casting aluminum light shell. Anti-corrosion, Anti-oxidation. High-impact tempered glass cover.
- Easy installation, no cabling, no trenching. Labor cost saver, free maintenance.
- ≥ 23 working hours after fully charged.

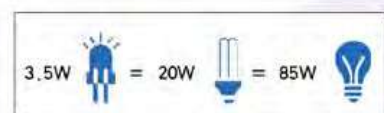
### Size chart



IP 65



RoHS



# PV-G019

# SOLARHOUSE

## Solar Lawn Lamp



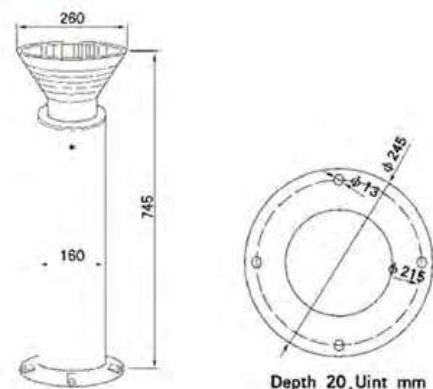
### Parameters

Item No.	PV-G019
Solar Panel	9V/5.5W Monocrystalline Solar Panel, Grade A
LED	3.5W, 10*18mil Epistar Chip
Lifespan of LED	More Than 50,000 Hours
Luminous Flux	385lm~435lm
Color Temperature	3000K~7500K
Beam Angle	120°
Battery	6.4V, 4.5AH LiFePO <sub>4</sub> Lithium Battery
Discharging Time	23 Hours
Charging Time	6h (AM1.5, 1000W/m <sup>2</sup> , 25°C)
Material	6063 Aluminum, PC
Working Temperature	-25°C ~ 55°C
Product Size	Φ 260*745* Φ 160* Φ 245mm
Package Size	800*310*310mm
Number of Packing	1 set/carton
Net Weight	4.6KG
Gross Weight	5.9KG

### Product Feature

- A Grade monocrystalline solar panel, high efficiency solar cells. Lifespan reaches more than 25 years.
- LiFePO<sub>4</sub> Lithium battery. Lifespan reaches more than 2,000 cycles.
- Full-automatic intelligent light control.
- Branded LED chips (Bridgelux, Epistar). Lifetime up to 50,000 hours.
- Die-casting aluminum light shell. Anti-corrosion, Anti-oxidation. High-impact PC cover.
- Easy installation, no cabling, no trenching. Labor cost saver, free maintenance.
- ≥ 23 working hours after fully charged.

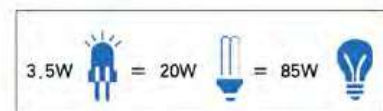
### Size chart



IP 65



CE RoHS



# PV-G020

# SOLARHOUSE

## Solar Lawn Lamp



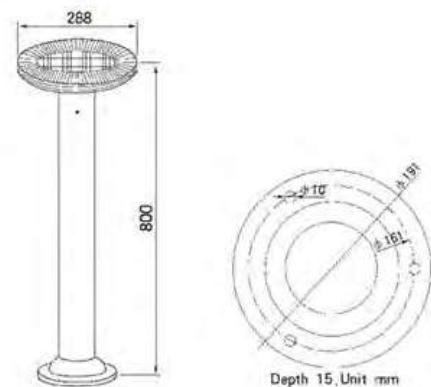
### Parameters

Item No.	PV-G020
Solar Panel	9V/3.5W Monocrystalline Solar Panel, Grade A
LED	1.8W, 10*18mil Epistar Chip
Lifespan of LED	More Than 50,000 Hours
Luminous Flux	235lm~255lm
Color Temperature	3000K~7500K
Beam Angle	120°
Battery	6.4V, 4.5AH LiFePO <sub>4</sub> Lithium Battery
Discharging Time	23 Hours
Charging Time	8h (AM1.5, 1000W/m <sup>2</sup> , 25°C)
Material	6063 Aluminum, PC
Working Temperature	-25°C ~ 55°C
Product Size	Φ 288*800* Φ 191mm
Package Size	850*345*345mm
Number of Packing	1 set/carton
Net Weight	3.4KG
Gross Weight	4.8KG

### Product Feature

- A Grade monocrystalline solar panel, high efficiency solar cells. Lifespan reaches more than 25 years.
- LiFePO<sub>4</sub> Lithium battery. Lifespan reaches more than 2,000 cycles.
- Full-automatic intelligent light control.
- Branded LED chips (Bridgelux, Epistar). Lifetime up to 50,000 hours.
- Die-casting aluminum light shell. Anti-corrosion, Anti-oxidation. High-impact PC cover.
- Easy installation, no cabling, no trenching. Labor cost saver, free maintenance.
- ≥ 23 working hours after fully charged.

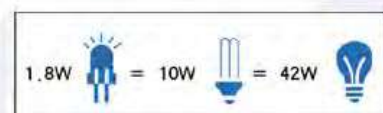
### Size chart



IP 65



RoHS





# PV-G021

# SOLARHOUSE

## Solar Lawn Lamp



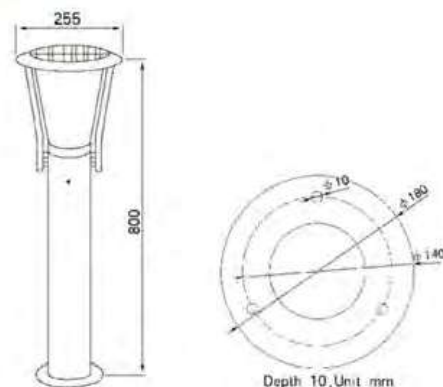
### Parameters

Item No.	PV-G021
Solar Panel	9V/3.5W Monocrystalline Solar Panel, Grade A
LED	1.8W, 10*18mil Epistar Chip
Lifespan of LED	More Than 50,000 Hours
Luminous Flux	235lm~255lm
Color Temperature	3000K~7500K
Beam Angle	120°
Battery	6.4V, 4.5AH LiFePO <sub>4</sub> Lithium Battery
Discharging Time	23 Hours
Charging Time	8h (AM1.5, 1000W/m <sup>2</sup> , 25°C)
Material	Stainless steel, PC
Working Temperature	-25°C ~ 55°C
Product Size	Φ 255*800* Φ 180mm
Package Size	840*310*310mm
Number of Packing	1 set/carton
Net Weight	2.4KG
Gross Weight	3.5KG

### Product Feature

- A Grade monocrystalline solar panel, high efficiency solar cells. Lifespan reaches more than 25 years.
- LiFePO<sub>4</sub> Lithium battery. Lifespan reaches more than 2,000 cycles.
- Full-automatic intelligent light control.
- Branded LED chips (Bridgelux, Epistar). Lifetime up to 50,000 hours.
- Stainless steel light shell, Anti-corrosion, Anti-oxidation, High-impact PC cover.
- Easy installation, no cabling, no trenching. Labor cost saver, free maintenance.
- ≥ 23 working hours after fully charged.

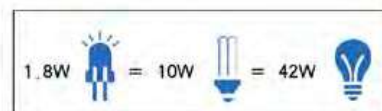
### Size chart



IP 65



CE RoHS



# PV-G022

# SOLARHOUSE

## Solar Lawn Lamp



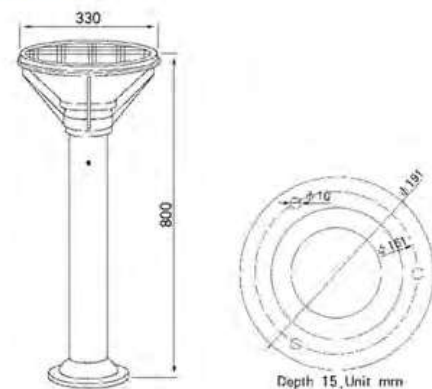
### Parameters

Item No.	PV-G022
Solar Panel	9V/7W Monocrystalline Solar Panel, Grade A
LED	4W, 10*18mil Epistar Chip
Lifespan of LED	More Than 50,000 Hours
Luminous Flux	440lm~500lm
Color Temperature	3000K~7500K
Beam Angle	120°
Battery	6.4V, 4.5AH LiFePO <sub>4</sub> Lithium Battery
Discharging Time	23 Hours
Charging Time	4h (AM1.5, 1000W/m <sup>2</sup> , 25°C)
Material	6063 Aluminum, PC
Working Temperature	-25°C ~ 55°C
Product Size	Φ 330*800* Φ 191mm
Package Size	850*370*400mm
Number of Packing	1 set/carton
Net Weight	4.4KG
Gross Weight	5.8KG

### Product Feature

- A Grade monocrystalline solar panel, high efficiency solar cells. Lifespan reaches more than 25 years.
- LiFePO<sub>4</sub> Lithium battery. Lifespan reaches more than 2,000 cycles.
- Full-automatic intelligent light control.
- Branded LED chips (Bridgelux, Epistar). Lifetime up to 50,000 hours.
- Die-casting aluminum light shell. Anti-corrosion, Anti-oxidation. High-impact PC cover.
- Easy installation, no cabling, no trenching. Labor cost saver, free maintenance.
- ≥ 23 working hours after fully charged.

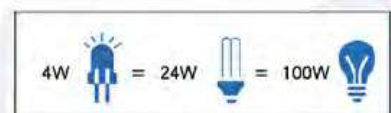
### Size chart



IP 65



RoHS



# PV-MS001-A

**SOLARHOUSE**

Integrated Solar Courtyard Light



## Product Feature



A Grade monocrystalline solar panel, high efficiency solar cells. Lifespan reaches more than 25 years.



LiFePO<sub>4</sub> Lithium battery. Lifespan reaches more than 2,000 cycles.



Full-automatic intelligent light control.



Branded LED chips (Bridgelux, Epistar). Lifetime up to 50,000 hours.



Die-casting aluminum light shell, stainless steel lamppost. Anti-corrosion, Anti-oxidation. High-impact PC cover.



Easy installation, no cabling, no trenching. Labor cost saver, free maintenance.



≥ 23 working hours after fully charged.



**IP 65**



**CE RoHS**



# PV-MS001-A

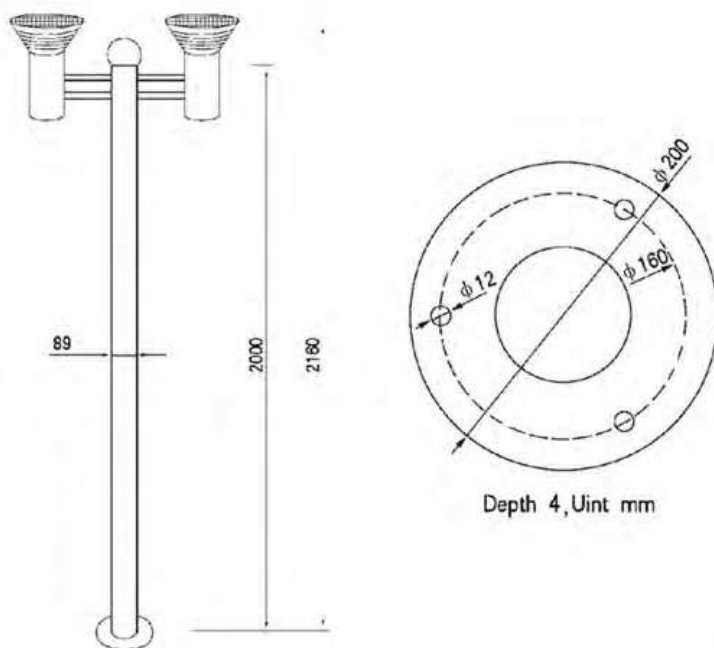
**SOLARHOUSE**

## Integrated Solar Courtyard Light

### Parameters

Item No.	PV-MS001-A
Solar Panel	9V/11W Monocrystalline Solar Panel, Grade A
LED	2*3.5W, 10*18mil Epistar Chip
Lifespan of LED	More Than 50,000 Hours
Luminous Flux	770lm~870lm
Color Temperature	3000K~7500K
Beam Angle	120°
Battery	2*4.5AH, 6.4V LiFePO <sub>4</sub> Lithium Battery
Discharging Time	23 Hours
Charging Time	6h (AM1.5, 1000W/m <sup>2</sup> , 25°C)
Material	6063 Aluminum, PC
Working Temperature	-25°C ~ 55°C
Protection Grade	IP65
Control Mode	Light Control

### Size chart



### Rendering



# PV-MS001-B

**SOLARHOUSE**

Integrated Solar Courtyard Light



## Product Feature



A Grade monocrystalline solar panel, high efficiency solar cells. Lifespan reaches more than 25 years.



LiFePO<sub>4</sub> Lithium battery. Lifespan reaches more than 2,000 cycles.



Full-automatic intelligent light control.



Branded LED chips (Bridgelux, Epistar). Lifetime up to 50,000 hours.



Stainless steel light shell and lamppost. Anti-corrosion, Anti-oxidation. High-impact PC cover.



Easy installation, no cabling, no trenching. Labor cost saver, free maintenance.



≥ 23 working hours after fully charged.



**IP 65**



**CE RoHS**

# PV-MS001-B

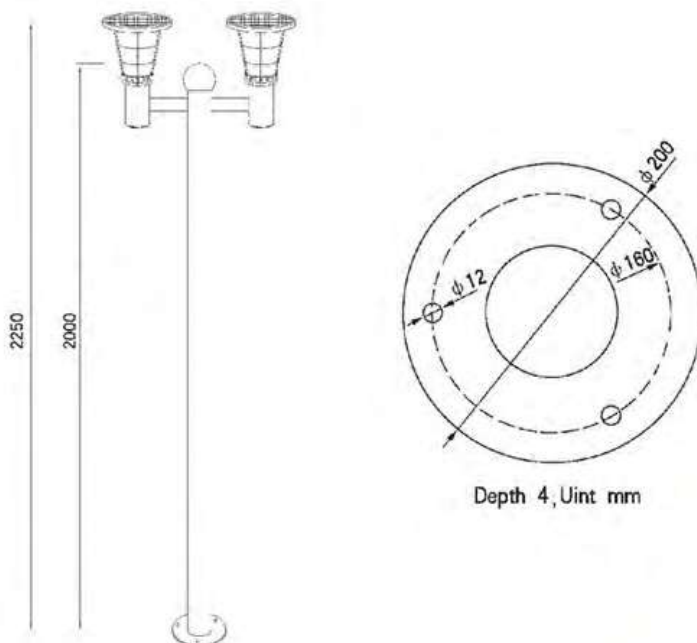
**SOLARHOUSE**

## Integrated Solar Courtyard Light

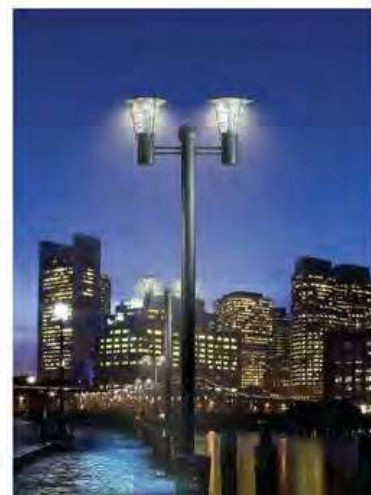
### Parameters

Item No.	PV-MS001-B
Solar Panel	9V/11W Monocrystalline Solar Panel, Grade A
LED	2*3.5W, 10*18mil Epistar Chip
Lifespan of LED	More Than 50,000 Hours
Luminous Flux	770lm~870lm
Color Temperature	3000K~7500K
Beam Angle	120°
Battery	2*4.5AH, 6.4V LiFePO <sub>4</sub> Lithium Battery
Discharging Time	23 Hours
Charging Time	6h (AM1.5, 1000W/m <sup>2</sup> , 25°C)
Material	Stainless steel, PC
Working Temperature	-25°C ~ 55°C
Protection Grade	IP65
Control Mode	Light Control

### Size chart



### Rendering





# PV-MS002

**SOLARHOUSE**

Integrated Solar Courtyard Light



## Product Feature



A Grade monocrystalline solar panel, high efficiency solar cells. Lifespan reaches more than 25 years.



LiFePO<sub>4</sub> Lithium battery.  
Lifespan reaches more than 2,000 cycles.



Full-automatic intelligent light control.



Branded LED chips (Bridgelux, Epistar).  
Lifetime up to 50,000 hours.



Die-casting aluminum light shell and lamppost.  
Anti-corrosion, Anti-oxidation.  
High-impact PC cover.



Easy installation, no cabling, no trenching.  
Labor cost saver, free maintenance.



≥ 23 working hours after fully charged.



**IP 65**



**CE RoHS**

# PV-MS002

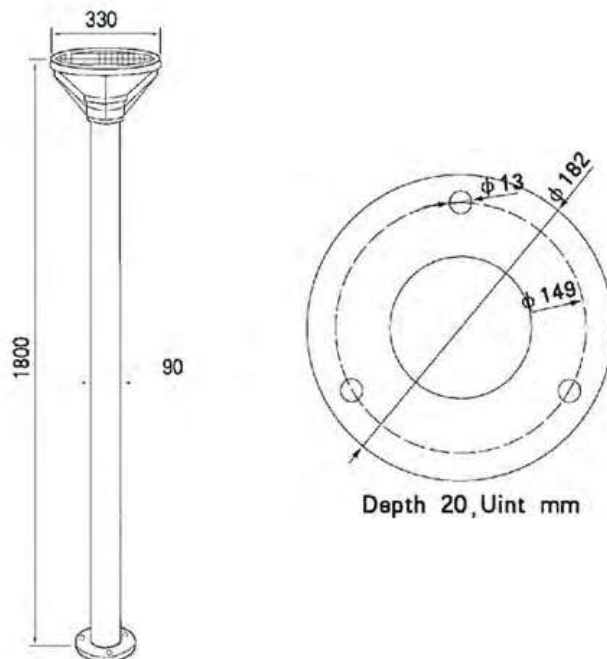
**SOLARHOUSE**

## Integrated Solar Courtyard Light

### Parameters

Item No.	PV-MS002
Solar Panel	9V/7W Monocrystalline Solar Panel, Grade A
LED	4W, 10*18mil Epistar Chip
Lifespan of LED	More Than 50,000 Hours
Luminous Flux	440lm~550lm
Color Temperature	3000K~7500K
Beam Angle	120°
Battery	4.5AH, 6.4V LiFePO <sub>4</sub> Lithium Battery
Discharging Time	23 Hours
Charging Time	4h (AM1.5, 1000W/m <sup>2</sup> , 25°C)
Material	6063 Aluminum, PC
Working Temperature	-25°C ~ 55°C
Protection Grade	IP65
Control Mode	Light Control

### Size chart



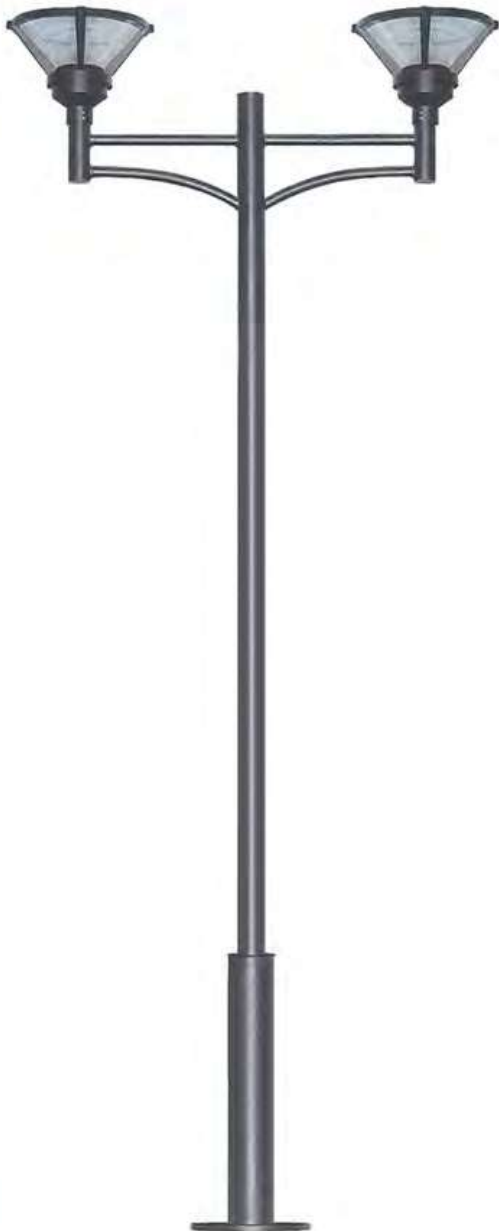
### Rendering



# PV-MS003

**SOLARHOUSE**

Integrated Solar Courtyard Light



## Product Feature



A Grade monocrystalline solar panel, high efficiency solar cells. Lifespan reaches more than 25 years.



LiFePO<sub>4</sub> Lithium battery. Lifespan reaches more than 2,000 cycles.



Full-automatic intelligent light control.



Branded LED chips (Bridgelux, Epistar). Lifetime up to 50,000 hours.



Die-casting aluminum light shell, hot-dip galvanized steel lamppost. Anti-corrosion, Anti-oxidation. High-impact PC cover.



Easy installation, no cabling, no trenching. Labor cost saver, free maintenance.



≥ 23 working hours after fully charged.



**IP 65**



**CE RoHS**



# PV-MS003

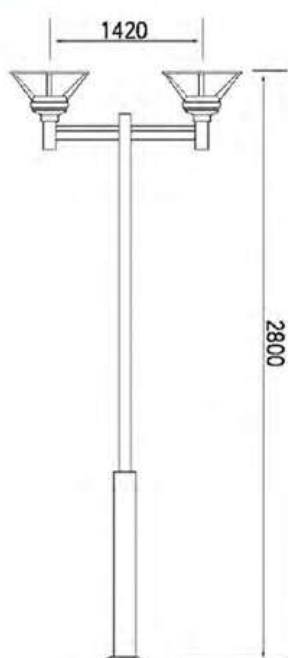
# SOLARHOUSE

## Integrated Solar Courtyard Light

### Parameters

Item No.	PV-MS003
Solar Panel	9V/14W Monocrystalline Solar Panel, Grade A
LED	2*4W, 10*18mil Epistar Chip
Lifespan of LED	More Than 50,000 Hours
Luminous Flux	880lm~1000lm
Color Temperature	3000K~7500K
Beam Angle	120°
Battery	2*4.5AH, 6.4V LiFePO <sub>4</sub> Lithium Battery
Discharging Time	23 Hours
Charging Time	4h (AM1.5, 1000W/m <sup>2</sup> , 25°C)
Material	6063 Aluminum, PC
Working Temperature	-25°C ~ 55°C
Protection Grade	IP65
Control Mode	Light Control

### Size chart



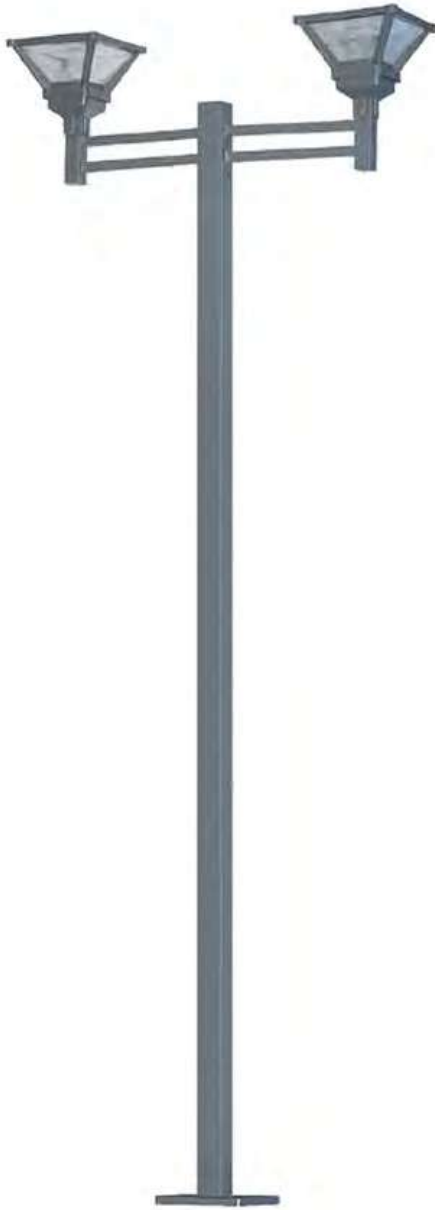
### Rendering



# PV-MS004

**SOLARHOUSE**

Integrated Solar Courtyard Light



## Product Feature



A Grade monocrystalline solar panel, high efficiency solar cells. Lifespan reaches more than 25 years.



LiFePO<sub>4</sub> Lithium battery. Lifespan reaches more than 2,000 cycles.



Full-automatic intelligent light control.



Branded LED chips (Bridgelux, Epistar). Lifetime up to 50,000 hours.



Die-casting aluminum light shell, hot-dip galvanized steel lamppost. Anti-corrosion, Anti-oxidation. High-impact PC cover.



Easy installation, no cabling, no trenching. Labor cost saver, free maintenance.



≥ 23 working hours after fully charged.



**IP 65**



**CE RoHS**

# PV-MS004

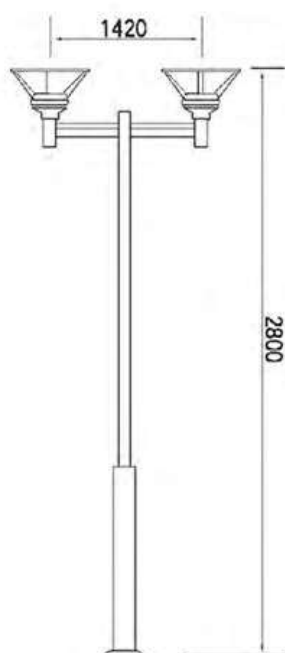
**SOLARHOUSE**

## Integrated Solar Courtyard Light

### Parameters

Item No.	PV-MS004
Solar Panel	9V/14W Monocrystalline Solar Panel, Grade A
LED	2*4W, 10*18mil Epistar Chip
Lifespan of LED	More Than 50,000 Hours
Luminous Flux	880lm~1000lm
Color Temperature	3000K~7500K
Beam Angle	120°
Battery	2*4.5AH, 6.4V LiFePO <sub>4</sub> Lithium Battery
Discharging Time	23 Hours
Charging Time	4h (AM1.5, 1000W/m <sup>2</sup> , 25°C)
Material	6063 Aluminum, PC
Working Temperature	-25°C ~ 55°C
Protection Grade	IP65
Control Mode	Light Control

### Size chart



### Rendering





# PV-MS005

**SOLARHOUSE**

Integrated Solar Courtyard Light



## Product Feature



A Grade monocrystalline solar panel, high efficiency solar cells. Lifespan reaches more than 25 years.



Full-automatic intelligent light control, energy-saving time control.



Die-casting aluminum light shell. Anti-corrosion, Anti-oxidation. High-impact PC cover.



In areas which are tree-shaded or lack of sunshine, we suggest to use DC&AC complementary controller.



High performance battery. Li-ion lithium battery or LiFePO<sub>4</sub> Lithium battery for your selection.



Branded LED chips (Bridgelux, Epistar). Lifetime up to 50,000 hours.



Easy installation, no cabling, no trenching. Labor cost saver, free maintenance.



≥ 42 working hours after fully charged.



**IP 65**



**RoHS**

# PV-MS005

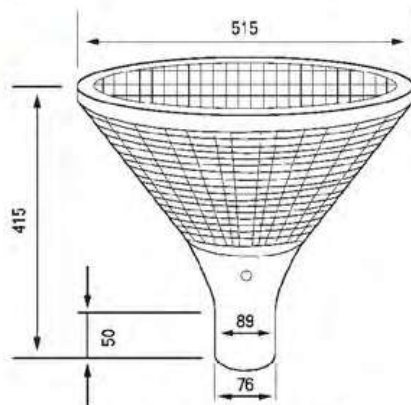
# SOLARHOUSE

## Integrated Solar Courtyard Light

### Parameters

Item No.	PV-MS005
Solar Panel	18V/23W Monocrystalline Solar Panel, Grade A
LED	12W, 10*18mil Epistar Chip
Lifespan of LED	More Than 50,000 Hours
Luminous Flux	1200lm~1320lm
Color Temperature	3000K~7500K
Beam Angle	120°
Battery Type	Li-ion Lithium Battery / LiFePO <sub>4</sub> Lithium Battery
Battery Capacity	12V, 14AH / 12.8V, 10AH
Discharging Time	18h (100% power), 42h (energy-saving mode)
Charging Time	8h (AM1.5, 1000W/m <sup>2</sup> , 25°C)
Material	6063 Aluminum, PC
Working Temperature	-25°C ~ 55°C
Protection Grade	IP65
Product Size	Φ 515*415mm
Package Size	570*570*500mm
Number of Packing	1 set/carton
Net Weight	6.4KG
Gross Weight	8.2KG
Diameter of Mounted Lamppost	76mm
Control Mode	Light Control, Time Control
Package Quantity	176 Sets/20' GP, 400 Sets/40' HQ

### Size chart



### Rendering





# PV-MS006

**SOLARHOUSE**

Integrated Solar Courtyard Light



## Product Feature



A Grade monocrystalline solar panel, high efficiency solar cells. Lifespan reaches more than 25 years.



Full-automatic intelligent light control, energy-saving time control.



Die-casting aluminum light shell. Anti-corrosion, Anti-oxidation. High-impact PC cover.



In areas which are tree-shaded or lack of sunshine, we suggest to use DC&AC complementary controller.



High performance battery. Li-ion lithium battery or  $\text{LiFePO}_4$  Lithium battery for your selection.



Branded LED chips (Bridgelux, Epistar). Lifetime up to 50,000 hours.



Easy installation, no cabling, no trenching. Labor cost saver, free maintenance.



$\geq$  42 working hours after fully charged.



**IP 65**



**RoHS**



# PV-MS006

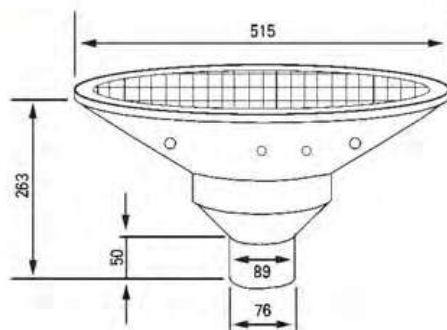
# SOLARHOUSE

## Integrated Solar Courtyard Light

### Parameters

Item No.	PV-MS006
Solar Panel	18V/23W Monocrystalline Solar Panel, Grade A
LED	12W, 10*18mil Epistar Chip
Lifespan of LED	More Than 50,000 Hours
Luminous Flux	1200lm~1320lm
Color Temperature	3000K~7500K
Beam Angle	120°
Battery Type	Li-ion Lithium Battery / LiFePO <sub>4</sub> Lithium Battery
Battery Capacity	12V, 16AH / 12.8V, 12AH
Discharging Time	18h (100% power), 42h (energy-saving mode)
Charging Time	9h (AM1.5, 1000W/m <sup>2</sup> , 25°C)
Material	6063 Aluminum, PC
Working Temperature	-25°C ~ 55°C
Protection Grade	IP65
Product Size	Φ 515*263mm
Package Size	570*570*500mm
Number of Packing	1 set/carton
Net Weight	6.4KG
Gross Weight	7.7KG
Diameter of Mounted Lamppost	76mm
Control Mode	Light Control, Time Control
Package Quantity	280 Sets/20' GP, 640 Sets/40' HQ

### Size chart



Diameter of lamppost, 76 Unit mm

### Rendering



# PV-MS007

**SOLARHOUSE**

Integrated Solar Courtyard Light



## Product Feature



A Grade monocrystalline solar panel, high efficiency solar cells. Lifespan reaches more than 25 years.



Full-automatic intelligent light control, energy-saving time control.



Die-casting aluminum light shell. Anti-corrosion, Anti-oxidation. High-impact PC cover.



In areas which are tree-shaded or lack of sunshine, we suggest to use DC&AC complementary controller.



High performance battery. Li-ion lithium battery or LiFePO<sub>4</sub> Lithium battery for your selection.



Branded LED chips (Bridgelux, Epistar). Lifetime up to 50,000 hours.



Easy installation, no cabling, no trenching. Labor cost saver, free maintenance.



≥ 42 working hours after fully charged.



**IP 65**



**RoHS**



# PV-MS007

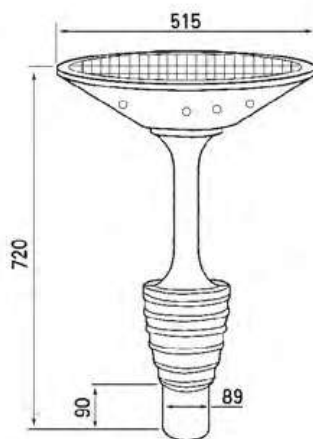
# SOLARHOUSE

## Integrated Solar Courtyard Light

### Parameters

Item No.	PV-MS007
Solar Panel	18V/23W Monocrystalline Solar Panel, Grade A
LED	12W, 10*18mil Epistar Chip
Lifespan of LED	More Than 50,000 Hours
Luminous Flux	1200lm~1320lm
Color Temperature	3000K~7500K
Beam Angle	120°
Battery Type	Li-ion Lithium Battery / LiFePO <sub>4</sub> Lithium Battery
Battery Capacity	12V, 16AH / 12.8V, 12AH
Discharging Time	18h (100% power), 42h (energy-saving mode)
Charging Time	9h (AM1.5, 1000W/m <sup>2</sup> , 25°C)
Material	6063 Aluminum, PC
Working Temperature	-25°C ~ 55°C
Protection Grade	IP65
Product Size	Φ 515*720mm
Package Size	570*570*780mm
Number of Packing	1 set/carton
Net Weight	7.1KG
Gross Weight	9KG
Diameter of Mounted Lamppost	76mm
Control Mode	Light Control, Time Control
Package Quantity	120 Sets/20' GP, 240 Sets/40' GP

### Size chart



Diameter of lamppost, 76 Unit mm

### Rendering





# PV-MS008

**SOLARHOUSE**

Integrated Solar Courtyard Light



## Product Feature



A Grade monocrystalline solar panel, high efficiency solar cells. Lifespan reaches more than 25 years.



Full-automatic intelligent light control, energy-saving time control.



Die-casting aluminum light shell. Anti-corrosion, Anti-oxidation. High-impact PC cover.



In areas which are tree-shaded or lack of sunshine, we suggest to use DC&AC complementary controller.



High performance battery. Li-ion lithium battery or  $\text{LiFePO}_4$  Lithium battery for your selection.



Branded LED chips (Bridgelux, Epistar). Lifetime up to 50,000 hours.



Easy installation, no cabling, no trenching. Labor cost saver, free maintenance.



$\geq 42$  working hours after fully charged.



**IP 65**



**RoHS**

# PV-MS008

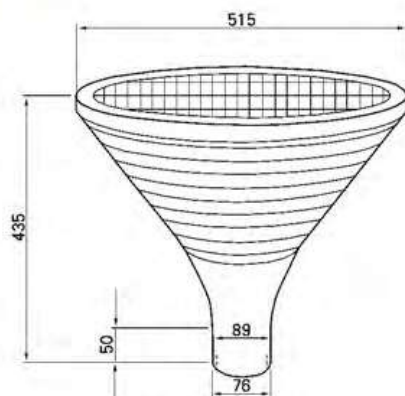
# SOLARHOUSE

## Integrated Solar Courtyard Light

### Parameters

Item No.	PV-MS008
Solar Panel	18V/23W Monocrystalline Solar Panel, Grade A
LED	12W, 10*18mil Epistar Chip
Lifespan of LED	More Than 50,000 Hours
Luminous Flux	1200lm~1320lm
Color Temperature	3000K~7500K
Beam Angle	120°
Battery Type	Li-ion Lithium Battery / LiFePO <sub>4</sub> Lithium Battery
Battery Capacity	12V, 14AH / 12.8V, 10AH
Discharging Time	18h (100% power), 42h (energy-saving mode)
Charging Time	8h (AM1.5, 1000W/m <sup>2</sup> , 25°C)
Material	6063 Aluminum, PC
Working Temperature	-25°C ~ 55°C
Protection Grade	IP65
Product Size	Φ 515*435mm
Package Size	570*570*500mm
Number of Packing	1 set/carton
Net Weight	7KG
Gross Weight	8.8KG
Diameter of Mounted Lamppost	76mm
Control Mode	Light Control, Time Control
Package Quantity	176 Sets/20' GP, 400 Sets/40' HQ

### Size chart



Diameter of lamppost, 76 Unit mm

### Rendering





# PV-MS009

**SOLARHOUSE**

Integrated Solar Courtyard Light



## Product Feature



A Grade monocrystalline solar panel, high efficiency solar cells. Lifespan reaches more than 25 years.



Full-automatic intelligent light control, energy-saving time control.



Die-casting aluminum light shell. Anti-corrosion, Anti-oxidation. High-impact PC cover.



In areas which are tree-shaded or lack of sunshine, we suggest to use DC&AC complementary controller.



High performance battery. Li-ion lithium battery or LiFePO<sub>4</sub> Lithium battery for your selection.



Branded LED chips (Bridgelux, Epistar). Lifetime up to 50,000 hours.



Easy installation, no cabling, no trenching. Labor cost saver, free maintenance.



≥ 42 working hours after fully charged.



**IP 65**



**RoHS**



# PV-MS009

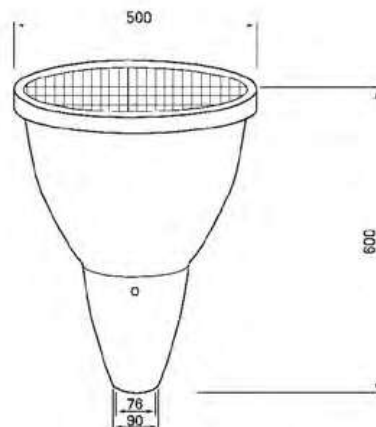
# SOLARHOUSE

## Integrated Solar Courtyard Light

### Parameters

Item No.	PV-MS009
Solar Panel	18V/23W Monocrystalline Solar Panel, Grade A
LED	12W, 10*18mil Epistar Chip
Lifespan of LED	More Than 50,000 Hours
Luminous Flux	1200lm~1320lm
Color Temperature	3000K~7500K
Beam Angle	120°
Battery Type	Li-ion Lithium Battery / LiFePO <sub>4</sub> Lithium Battery
Battery Capacity	12V, 14AH / 12.8V, 10AH
Discharging Time	18h (100% power), 42h (energy-saving mode)
Charging Time	8h (AM1.5, 1000W/m <sup>2</sup> , 25°C)
Material	6063 Aluminum, PC
Working Temperature	-25°C ~ 55°C
Protection Grade	IP65
Product Size	Φ 500*600mm
Package Size	570*570*660mm
Number of Packing	1 set/carton
Net Weight	8.7KG
Gross Weight	10.6KG
Diameter of Mounted Lamppost	76mm
Control Mode	Light Control, Time Control
Package Quantity	128 Sets/20' GP, 272 Sets/40' GP

### Size chart



Diameter of lamppost, 76 Unit mm

### Rendering



# PV-MS010

**SOLARHOUSE**

Integrated Solar Courtyard Light



## Product Feature



A Grade monocrystalline solar panel, high efficiency solar cells. Lifespan reaches more than 25 years.



Full-automatic intelligent light control, energy-saving time control.



Die-casting aluminum light shell. Anti-corrosion, Anti-oxidation. High-impact PC cover.



In areas which are tree-shaded or lack of sunshine, we suggest to use DC&AC complementary controller.



High performance battery. Li-ion lithium battery or  $\text{LiFePO}_4$  Lithium battery for your selection.



Branded LED chips (Bridgelux, Epistar). Lifetime up to 50,000 hours.



Easy installation, no cabling, no trenching. Labor cost saver, free maintenance.



$\geq$  42 working hours after fully charged.



**IP 65**



**RoHS**



# PV-MS010

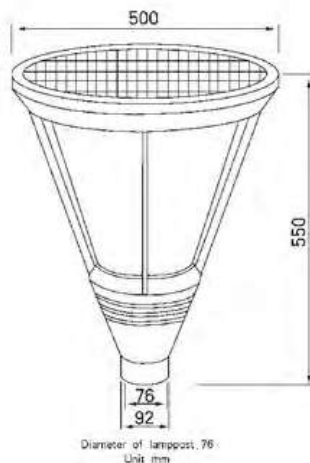
# SOLARHOUSE

## Integrated Solar Courtyard Light

### Parameters

Item No.	PV-MS010
Solar Panel	18V/23W Monocrystalline Solar Panel, Grade A
LED	12W, 10*18mil Epistar Chip
Lifespan of LED	More Than 50,000 Hours
Luminous Flux	1200lm~1320lm
Color Temperature	3000K~7500K
Beam Angle	120°
Battery Type	Li-ion Lithium Battery / LiFePO <sub>4</sub> Lithium Battery
Battery Capacity	12V, 14AH / 12.8V, 10AH
Discharging Time	18h (100% power), 42h (energy-saving mode)
Charging Time	8h (AM1.5, 1000W/m <sup>2</sup> , 25°C)
Material	6063 Aluminum, PC
Working Temperature	-25°C ~ 55°C
Protection Grade	IP65
Product Size	Φ 500*550mm
Package Size	570*570*600mm
Number of Packing	1 set/carton
Net Weight	7.1KG
Gross Weight	8.9KG
Diameter of Mounted Lamppost	76mm
Control Mode	Light Control, Time Control
Package Quantity	144 Sets/20' GP, 304 Sets/40' GP

### Size chart



### Rendering





# PV-MS011

**SOLARHOUSE**

Integrated Solar Courtyard Light



## Product Feature



A Grade monocrystalline solar panel, high efficiency solar cells. Lifespan reaches more than 25 years.



Full-automatic intelligent light control, energy-saving time control.



Die-casting aluminum light shell. Anti-corrosion, Anti-oxidation. High-impact PC cover.



In areas which are tree-shaded or lack of sunshine, we suggest to use DC&AC complementary controller.



High performance battery. Li-ion lithium battery or LiFePO<sub>4</sub> Lithium battery for your selection.



Branded LED chips (Bridgelux, Epistar). Lifetime up to 50,000 hours.



Easy installation, no cabling, no trenching. Labor cost saver, free maintenance.



≥ 42 working hours after fully charged.



**IP 65**



**RoHS**

# PV-MS011

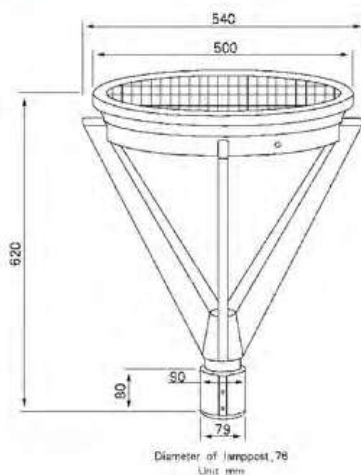
# SOLARHOUSE

## Integrated Solar Courtyard Light

### Parameters

Item No.	PV-MS011
Solar Panel	18V/23W Monocrystalline Solar Panel, Grade A
LED	12W, 10*18mil Epistar Chip
Lifespan of LED	More Than 50,000 Hours
Luminous Flux	1200lm~1320lm
Color Temperature	3000K~7500K
Beam Angle	120°
Battery Type	Li-ion Lithium Battery / LiFePO <sub>4</sub> Lithium Battery
Battery Capacity	12V, 16AH / 12.8V, 12AH
Discharging Time	18h (100% power), 42h (energy-saving mode)
Charging Time	9h (AM1.5, 1000W/m <sup>2</sup> , 25°C)
Material	6063 Aluminum, PC
Working Temperature	-25°C ~ 55°C
Protection Grade	IP65
Product Size	Φ 540*620mm
Package Size	570*570*660mm
Number of Packing	1 set/carton
Net Weight	8.2KG
Gross Weight	10.1KG
Diameter of Mounted Lamppost	76mm
Control Mode	Light Control, Time Control
Package Quantity	128 Sets/20' GP, 256 Sets/40' GP

### Size chart



### Rendering





# PV-MS012

**SOLARHOUSE**

Integrated Solar Courtyard Light



## Product Feature



A Grade monocrystalline solar panel, high efficiency solar cells. Lifespan reaches more than 25 years.



Full-automatic intelligent light control, energy-saving time control.



Die-casting aluminum light shell. Anti-corrosion, Anti-oxidation. High-impact PC cover.



In areas which are tree-shaded or lack of sunshine, we suggest to use DC&AC complementary controller.



High performance battery. Li-ion lithium battery or  $\text{LiFePO}_4$  Lithium battery for your selection.



Branded LED chips (Bridgelux, Epistar). Lifetime up to 50,000 hours.



Easy installation, no cabling, no trenching. Labor cost saver, free maintenance.



$\geq 42$  working hours after fully charged.



**IP 65**



**RoHS**



# PV-MS012

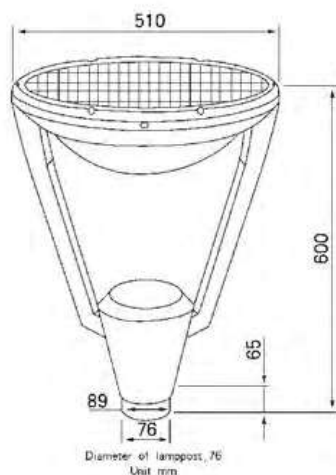
# SOLARHOUSE

## Integrated Solar Courtyard Light

### Parameters

Item No.	PV-MS012
Solar Panel	18V/23W Monocrystalline Solar Panel, Grade A
LED	12W, 10*18mil Epistar Chip
Lifespan of LED	More Than 50,000 Hours
Luminous Flux	1200lm~1320lm
Color Temperature	3000K~7500K
Beam Angle	120°
Battery Type	Li-ion Lithium Battery / LiFePO <sub>4</sub> Lithium Battery
Battery Capacity	12V, 16AH / 12.8V, 12AH
Discharging Time	18h (100% power), 42h (energy-saving mode)
Charging Time	9h (AM1.5, 1000W/m <sup>2</sup> , 25°C)
Material	6063 Aluminum, PC
Working Temperature	-25°C ~ 55°C
Protection Grade	IP65
Product Size	Φ 510*600mm
Package Size	570*570*690mm
Number of Packing	1 set/carton
Net Weight	8.5KG
Gross Weight	10.4KG
Diameter of Mounted Lamppost	76mm
Control Mode	Light Control, Time Control
Package Quantity	128 Sets/20' GP, 272 Sets/40' GP

### Size chart



### Rendering



# PV-MS013

**SOLARHOUSE**

Integrated Solar Courtyard Light



## Product Feature



A Grade monocrystalline solar panel, high efficiency solar cells. Lifespan reaches more than 25 years.



Full-automatic intelligent light control, energy-saving time control.



Die-casting aluminum light shell.  
Anti-corrosion, Anti-oxidation.  
High-impact PC cover.



In areas which are tree-shaded or lack of sunshine, we suggest to use DC&AC complementary controller.



High performance battery.  
Li-ion lithium battery or  $\text{LiFePO}_4$  Lithium battery for your selection.



Branded LED chips (Bridgelux, Epistar).  
Lifetime up to 50,000 hours.



Easy installation, no cabling, no trenching.  
Labor cost saver, free maintenance.



≥ 42 working hours after fully charged.



**IP 65**



**RoHS**



# PV-MS013

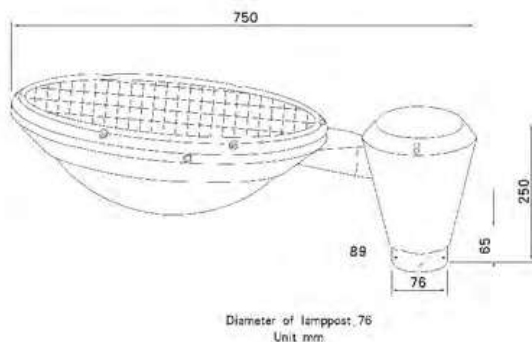
# SOLARHOUSE

## Integrated Solar Courtyard Light

### Parameters

Item No.	PV-MS013
Solar Panel	18V/23W Monocrystalline Solar Panel, Grade A
LED	12W, 10*18mil Epistar Chip
Lifespan of LED	More Than 50,000 Hours
Luminous Flux	1200lm~1320lm
Color Temperature	3000K~7500K
Beam Angle	120°
Battery Type	Li-ion Lithium Battery / LiFePO <sub>4</sub> Lithium Battery
Battery Capacity	12V, 16AH / 12.8V, 12AH
Discharging Time	18h (100% power), 42h (energy-saving mode)
Charging Time	9h (AM1.5, 1000W/m <sup>2</sup> , 25°C)
Material	6063 Aluminum, PC
Working Temperature	-25°C ~ 55°C
Protection Grade	IP65
Product Size	Φ 510*750*250mm
Package Size	780*570*300mm
Number of Packing	1 set/carton
Net Weight	8.4KG
Gross Weight	10.3KG
Diameter of Mounted Lamppost	76mm
Control Mode	Light Control, Time Control
Package Quantity	196 Sets/20' GP, 469 Sets/40' HQ

### Size chart



### Rendering





# PV-MS014

**SOLARHOUSE**

Integrated Solar Courtyard Light



## Product Feature



A Grade monocrystalline solar panel, high efficiency solar cells. Lifespan reaches more than 25 years.



High performance battery. Li-ion lithium battery or  $\text{LiFePO}_4$  Lithium battery for your selection.



Full-automatic intelligent light control, energy-saving time control.



Branded LED chips (Bridgelux, Epistar). Lifetime up to 50,000 hours.



Die-casting aluminum light shell. Anti-corrosion, Anti-oxidation. High-impact PC cover.



Easy installation, no cabling, no trenching. Labor cost saver, free maintenance.



In areas which are tree-shaded or lack of sunshine, we suggest to use DC&AC complementary controller.



$\geq 42$  working hours after fully charged.



**IP 65**



**RoHS**

# PV-MS015

**SOLARHOUSE**

Integrated Solar Courtyard Light



## Product Feature



A Grade monocrystalline solar panel, high efficiency solar cells. Lifespan reaches more than 25 years.



High performance battery, Li-ion lithium battery or  $\text{LiFePO}_4$  Lithium battery for your selection.



Full-automatic intelligent light control, energy-saving time control.



Branded LED chips (Bridgelux, Epistar). Lifetime up to 50,000 hours.



Die-casting aluminum light shell. Anti-corrosion, Anti-oxidation. High-impact PC cover.



Easy installation, no cabling, no trenching. Labor cost saver, free maintenance.



In areas which are tree-shaded or lack of sunshine, we suggest to use DC&AC complementary controller.



$\geq$  42 working hours after fully charged.



**IP 65**



**RoHS**



# PV-MS015

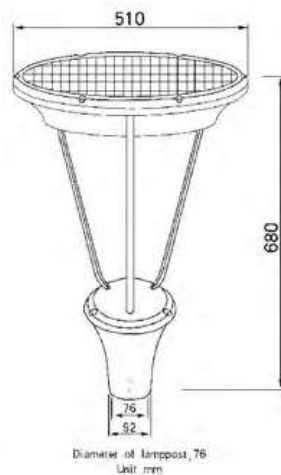
# SOLARHOUSE

## Integrated Solar Courtyard Light

### Parameters

Item No.	PV-MS015
Solar Panel	18V/23W Monocrystalline Solar Panel, Grade A
LED	12W, 10*18mil Epistar Chip
Lifespan of LED	More Than 50,000 Hours
Luminous Flux	1200lm~1320lm
Color Temperature	3000K~7500K
Beam Angle	120°
Battery Type	Li-ion Lithium Battery / LiFePO <sub>4</sub> Lithium Battery
Battery Capacity	12V, 16AH / 12.8V, 12AH
Discharging Time	18h (100% power), 42h (energy-saving mode)
Charging Time	9h (AM1.5, 1000W/m <sup>2</sup> , 25°C)
Material	6063 Aluminum, PC
Working Temperature	-25°C ~ 55°C
Protection Grade	IP65
Product Size	Φ 510*680mm
Package Size	570*570*750mm
Number of Packing	1 set/carton
Net Weight	8.5KG
Gross Weight	11.2KG
Diameter of Mounted Lamppost	76mm
Control Mode	Light Control, Time Control
Package Quantity	120 Sets/20' GP, 240 Sets/40' GP

### Size chart



### Rendering





# PV-A10001

**SOLARHOUSE**

Integrated Solar Street Light



## Product Feature



A Grade monocrystalline solar panel, high efficiency solar cells. Lifespan reaches more than 25 years.



Full-automatic intelligent light control.



Die-casting aluminum light shell.  
Anti-corrosion, Anti-oxidation,  
Tempered glass cover.



LiFePO<sub>4</sub> Lithium battery.  
Lifespan reaches more than 2,000 cycles.



Branded LED chips (Bridgelux, Epistar).  
Lifetime up to 50,000 hours.



Easy installation, no cabling, no trenching.  
Labor cost saver, free maintenance.



≥ 23 working hours after fully charged.



**IP 65**



**RoHS**

# PV-A10001

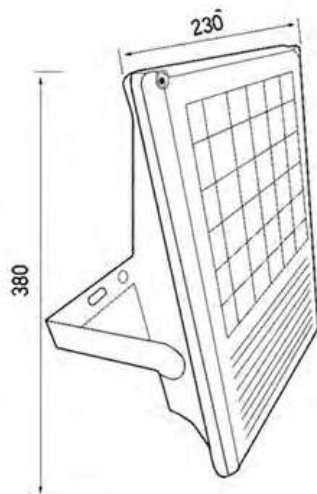
# SOLARHOUSE

## Integrated Solar Street Light

### Parameters

Item No.	PV-A10001	Charging Time	7h (AM1.5, 1000W/m <sup>2</sup> , 25°C)
Solar Panel	9V/8W Monocrystalline Solar Panel, Grade A	Mounting Height	3~4m
LED	5W, 10*18mil Epistar Chip	Mounting Grade	IP65
Lifespan of LED	More Than 50,000 Hours	Material	6063 Aluminum, Tempered Glass
Luminous Flux	550lm~700lm	Package Size	440*310*155mm
Color Temperature	3000K~7500K	Net Weight	3KG
Beam Angle	120°	Gross Weight	3.7KG
Battery	2*4.5AH, 6.4V LiFePO <sub>4</sub> Lithium Battery	Package Quantity	1250 sets/20' GP 2500 sets/40' GP
Discharging Time	23h	Working Temperature	-25°C~55°C

### Size chart



### Rendering

The power of solar panel and LED can be customized according to customer's requirements.



# PV-A10002

# SOLARHOUSE

## Integrated Solar Street Light

Solar Panel

18W Monocrystalline A Grade solar panel, high efficiency solar cells, high fill factor module.

Battery

High performance lithium battery with 3-5 rainy day's back-up. Hermetically-sealed & waterproof protection cover.

Connector

Waterproof connector for street light exclusive use.

Switch

Stainless steel waterproof switch.

Sensor

Human body sensor with IP65 protection grade.

LED

8W EPISTAR LED chips (66pcs, 10\*18mil), 130lm/W high luminous efficacy. Golden wire, BSOB wire bond. High quality waterproof silicone gasket.

Controller

IP67 protection grade. Time+light+PIR control. \*In areas which are tree-shaded or lack of sunshine, we suggest to use DC&AC complementary controller.

Radiator

2.0 thermal conductivity and faster heat radiation, ensure the lifespan of LED.





# PV-A10002

**SOLARHOUSE**

Integrated Solar Street Light

**8**  
Watts



Lithium Battery



Automatic  
wake-up



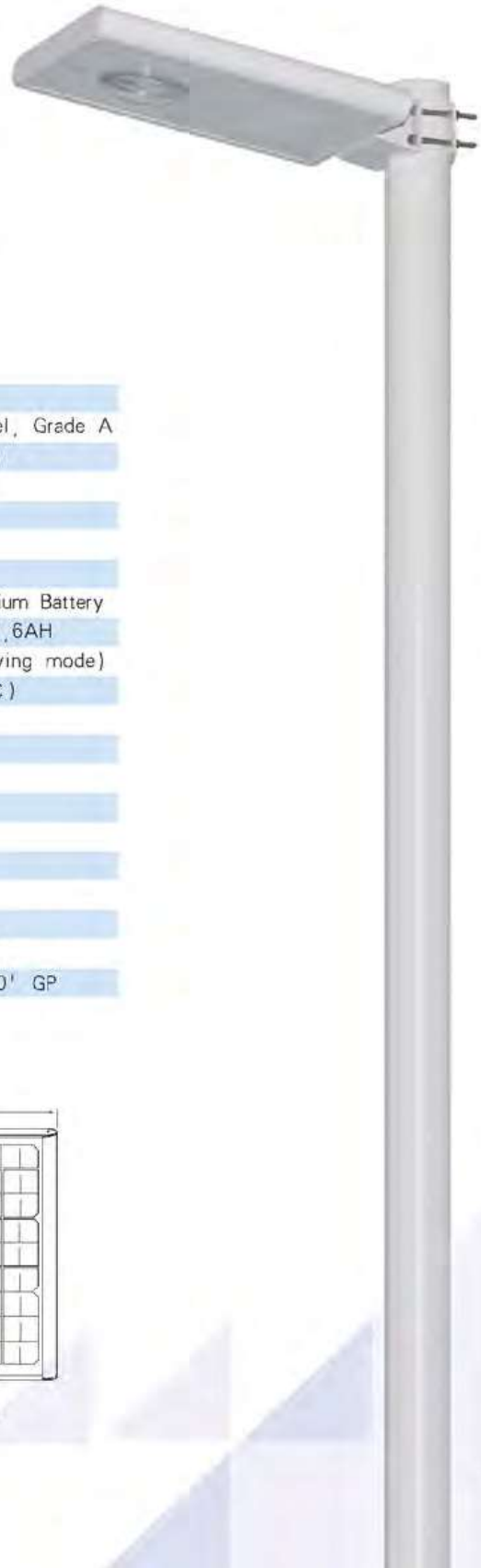
No Trenching



No Cabling



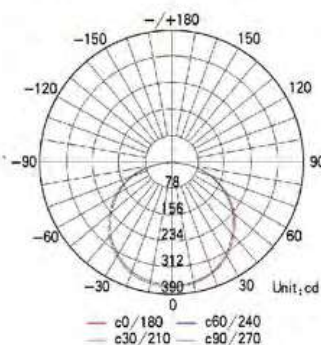
PIR Sensor



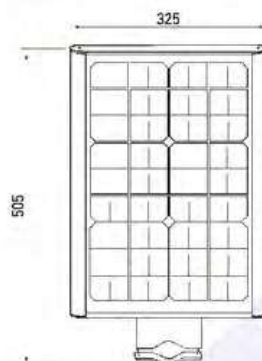
## Parameters

Item No.	PV-A10002	
Solar Panel	18V/18W	Monocrystalline Solar Panel, Grade A
LED	8W, 10*18mil Epistar Chip	
Lifespan of LED	More Than 50,000 Hours	
Luminous Flux	880lm ~ 1040lm	
Beam Angle	120°	
Color Temperature	3000K ~ 7500K	
Battery Type	Li-ion Lithium Battery / LiFePO <sub>4</sub> Lithium Battery	
Battery Capacity	12V, 10AH	/ 12.8V, 6AH
Discharging Time	18h (100% power), 42h (energy-saving mode)	
Charging Time	7h (AM1.5, 1000W/m <sup>2</sup> , 25°C)	
Working Temperature	-25°C ~ 55°C	
Diameter of Mounted Lamppost	60 ~ 89mm	
Mounting Height	3 ~ 4m	
Mounting Space	10 ~ 15m	
Material	6063 Aluminum, PC	
Package Size	570*370*110mm	
Net Weight	5KG	
Gross Weight	5.9KG	
Control Mode	Light, Time and PIR Control	
Package Quantity	800 sets/20' GP,	1600 sets/40' GP

## Light spectrum



## Size chart



# PV-A10003

# SOLARHOUSE

## Integrated Solar Street Light

Solar Panel

28W Monocrystalline A Grade solar panel, high efficiency solar cells, high fill factor module.

Battery

High performance lithium battery with 3-5 rainy day's back-up. Hermetically-sealed & waterproof protection cover.

Connector

Waterproof connector for street light exclusive use.

Switch

Stainless steel waterproof switch.

Sensor

Human body sensor with IP65 protection grade.

LED

15W EPISTAR LED chips (216pcs, 10\*18mil), 130lm/W high luminous efficacy. Golden wire, BSOB wire bond. High quality waterproof silicone gasket.

Controller

IP67 protection grade. Time+light+PIR control. \*In areas which are tree-shaded or lack of sunshine, we suggest to use DC&AC complementary controller.

Radiator

2.0 thermal conductivity and faster heat radiation, ensure the lifespan of LED.



IP 65



RoHS



# PV-A10003

# SOLARHOUSE

## Integrated Solar Street Light

**15**  
Watts



Lithium Battery



Automatic  
wake-up



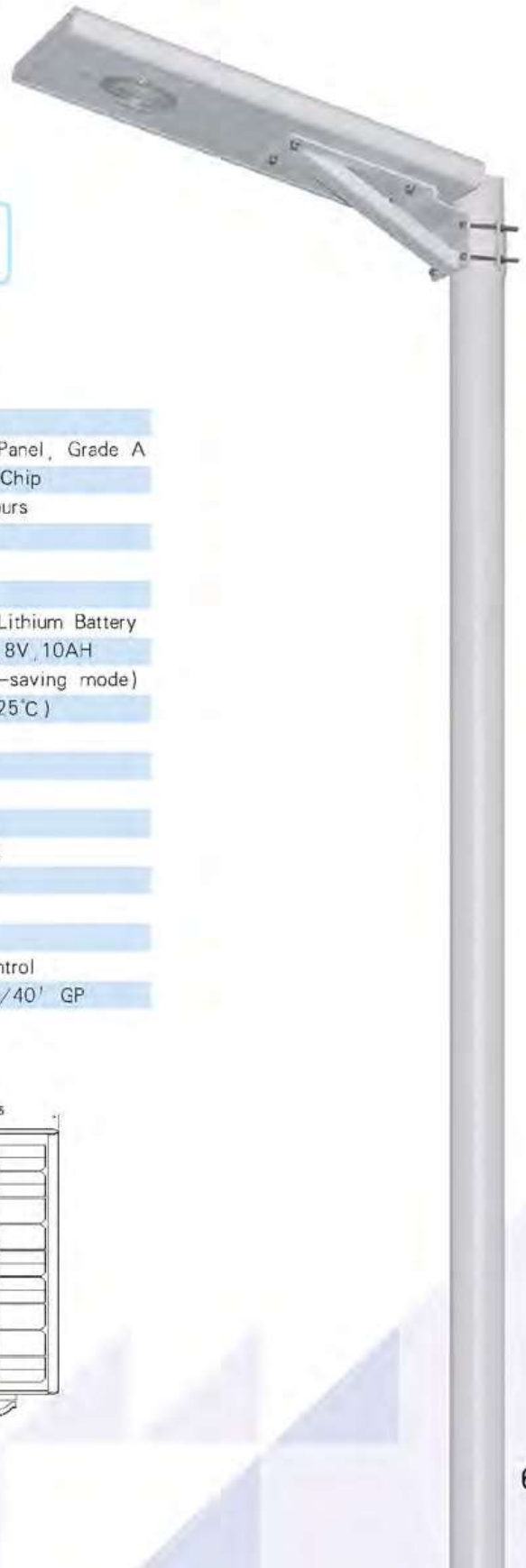
No Trenching



No Cabling



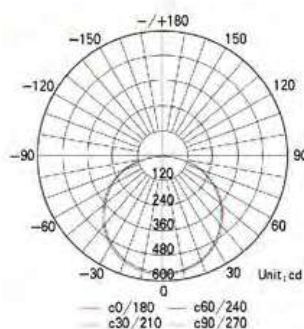
PIR Sensor



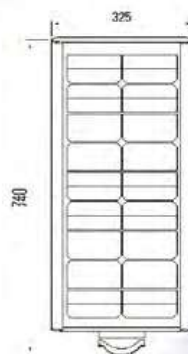
### Parameters

Item No.	PV-A10003	
Solar Panel	18V/28W	Monocrystalline Solar Panel, Grade A
LED	15W, 10*18mil Epistar Chip	
Lifespan of LED	More Than 50,000 Hours	
Luminous Flux	1650lm ~ 1950lm	
Beam Angle	120°	
Color Temperature	3000K ~ 7500K	
Battery Type	Li-ion Lithium Battery / LiFePO <sub>4</sub> Lithium Battery	
Battery Capacity	12V, 16AH	/ 12.8V, 10AH
Discharging Time	18h (100% power), 42h (energy-saving mode)	
Charging Time	7h (AM1.5, 1000W/m <sup>2</sup> , 25°C)	
Working Temperature	-25°C ~ 55°C	
Diameter of Mounted Lamppost	60 ~ 89mm	
Mounting Height	4 ~ 5m	
Mounting Space	10 ~ 15m	
Material	6063 Aluminum, PC	
Package Size	780*380*190mm	
Net Weight	8.7KG	
Gross Weight	9.9KG	
Control Mode	Light, Time and PIR Control	
Package Quantity	480 sets/20' GP, 960 sets/40' GP	

### Light spectrum



### Size chart

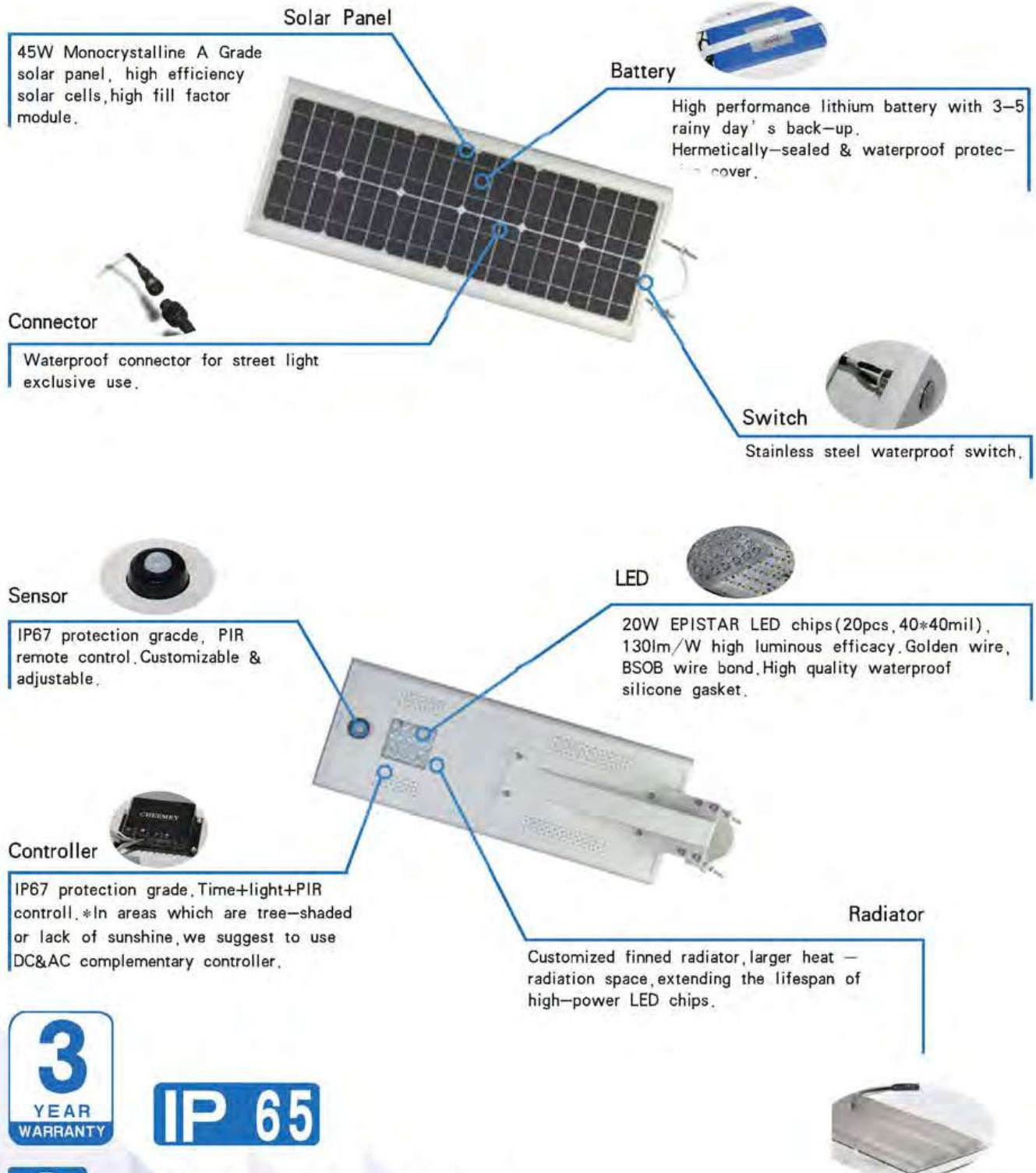




# PV-A10004

# SOLARHOUSE

## Integrated Solar Street Light



# PV-A10004

# SOLARHOUSE

## Integrated Solar Street Light

# 20 Watts



Lithium Battery



Remote Control



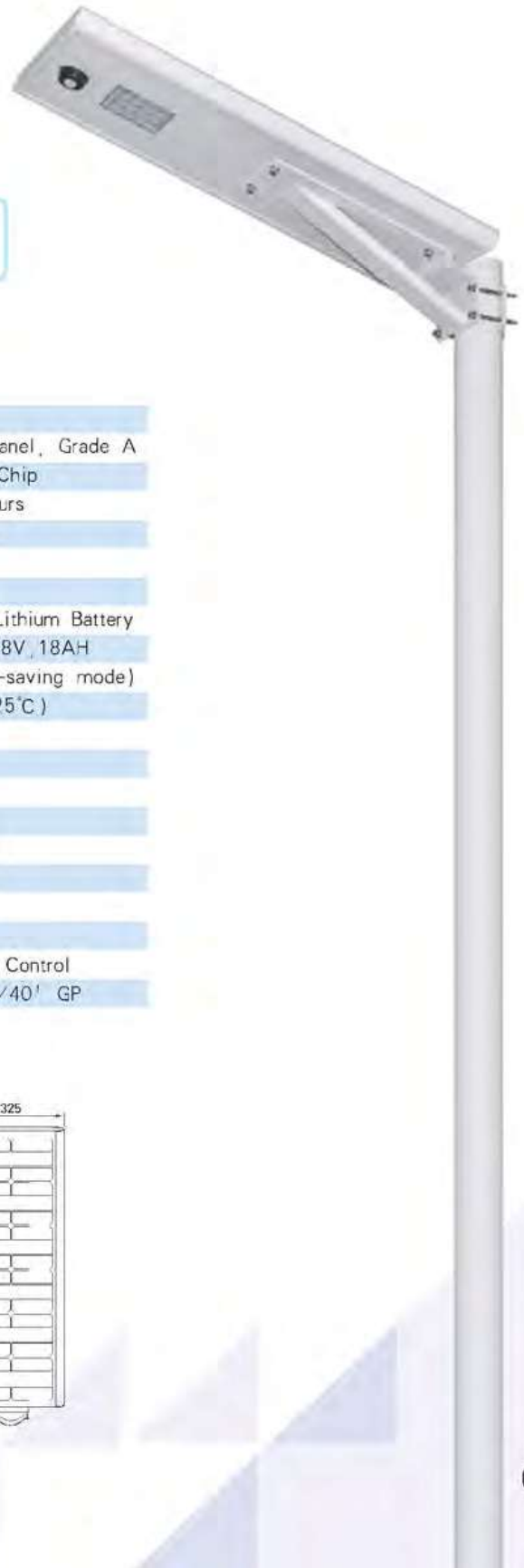
No Trenching



No Cabling



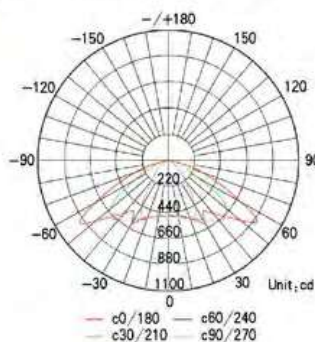
PIR Sensor



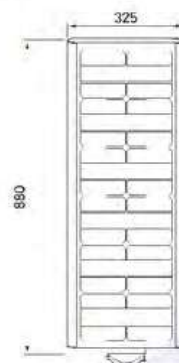
### Parameters

Item No.	PV-A10004
Solar Panel	18V/45W Monocrystalline Solar Panel, Grade A
LED	20W, 40*40mil Epistar Chip
Lifespan of LED	More Than 50,000 Hours
Luminous Flux	2200lm ~ 2600lm
Beam Angle	65° * 130°
Color Temperature	3000K ~ 7500K
Battery Type	Li-ion Lithium Battery / LiFePO <sub>4</sub> Lithium Battery
Battery Capacity	12V, 25AH / 12.8V, 18AH
Discharging Time	18h (100% power), 42h (energy-saving mode)
Charging Time	6h (AM1.5, 1000W/m <sup>2</sup> , 25°C)
Working Temperature	-25°C ~ 55°C
Diameter of Mounted Lamppost	76 ~ 89mm
Mounting Height	4 ~ 6m
Mounting Space	15 ~ 20m
Material	6063 Aluminum, PC
Package Size	920*380*190mm
Net Weight	11.4KG
Gross Weight	12.8KG
Control Mode	Light, Time and PIR Remote Control
Package Quantity	396 sets/20' GP, 792 sets/40' GP

### Light spectrum



### Size chart





# PV-A10005

# SOLARHOUSE

## Integrated Solar Street Light



**IP 65**



**RoHS**





# PV-A10005

# SOLARHOUSE

## Integrated Solar Street Light

**30**  
Watts



Lithium Battery



Remote Control



No Trenching



No Cabling



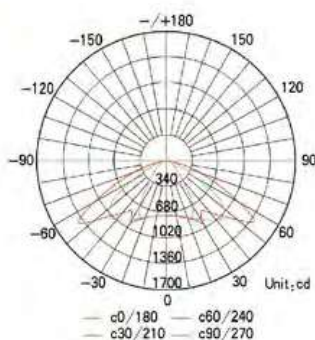
PIR Sensor



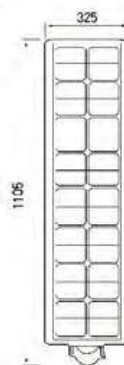
### Parameters

Item No.	PV-A10005
Solar Panel	18V/60W Monocrystalline Solar Panel, Grade A
LED	30W, 40*40mil Epistar Chip
Lifespan of LED	More Than 50,000 Hours
Luminous Flux	3300lm ~ 3900lm
Beam Angle	65° * 130°
Color Temperature	3000K ~ 7500K
Battery Type	Li-ion Lithium Battery / LiFePO <sub>4</sub> Lithium Battery
Battery Capacity	12V, 35AH / 12.8V, 21AH
Discharging Time	18h (100% power), 42h (energy-saving mode)
Charging Time	7h (AM1.5, 1000W/m <sup>2</sup> , 25°C)
Working Temperature	-25°C ~ 55°C
Diameter of Mounted Lamppost	76 ~ 89mm
Mounting Height	5 ~ 7m
Mounting Space	15 ~ 25m
Material	6063 Aluminum, PC
Package Size	1170*380*200mm
Net Weight	15.5KG
Gross Weight	17.2KG
Control Mode	Light, Time and PIR Remote Control
Package Quantity	330 sets/20' GP, 660 sets/40' GP

### Light spectrum



### Size chart



# PV-A10006

# SOLARHOUSE

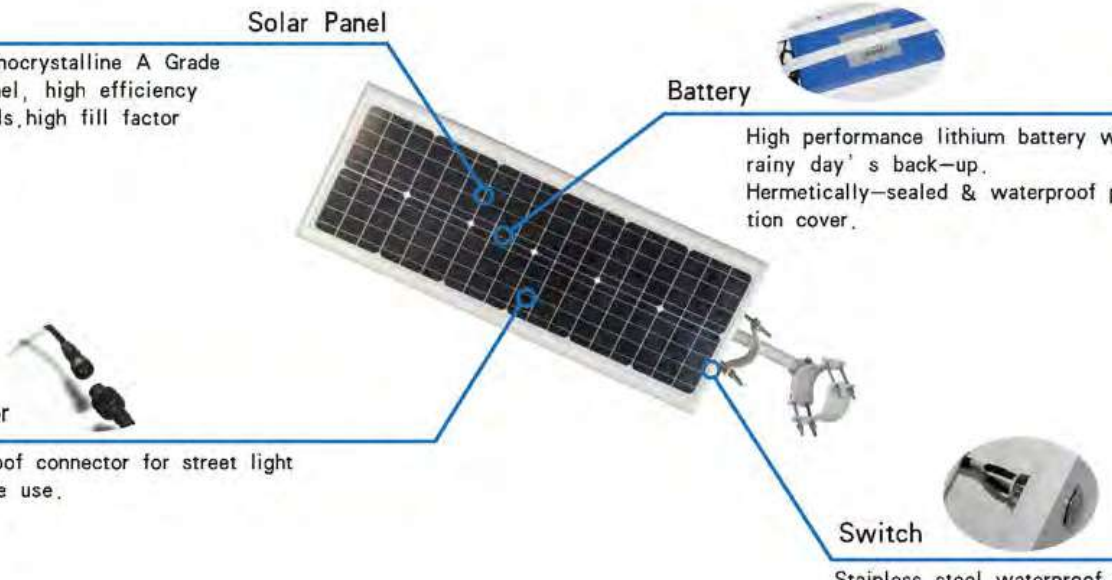
## Integrated Solar Street Light

**Solar Panel**  
70W Monocrystalline A Grade solar panel, high efficiency solar cells, high fill factor module.

**Battery**  
High performance lithium battery with 3-5 rainy day's back-up. Hermetically-sealed & waterproof protection cover.

**Connector**  
Waterproof connector for street light exclusive use.

**Switch**  
Stainless steel waterproof switch.

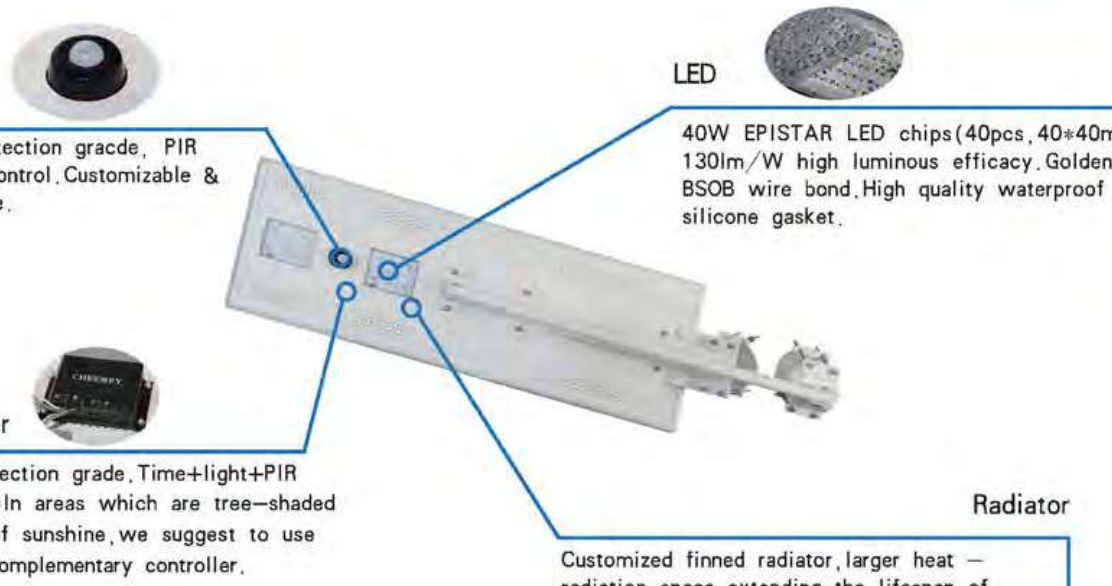


**Sensor**  
IP67 protection grade, PIR remote control. Customizable & adjustable.

**LED**  
40W EPISTAR LED chips (40pcs, 40\*40mil), 130lm/W high luminous efficacy. Golden wire, BSOB wire bond, High quality waterproof silicone gasket.

**Controller**  
IP67 protection grade, Time+light+PIR control. \*In areas which are tree-shaded or lack of sunshine, we suggest to use DC&AC complementary controller.

**Radiator**  
Customized finned radiator, larger heat - radiation space, extending the lifespan of high-power LED chips.



**IP 65**



**RoHS**





# PV-A10006

# SOLARHOUSE

## Integrated Solar Street Light

**40**  
Watts



Lithium Battery



Remote Control



No Trenching



No Cabling



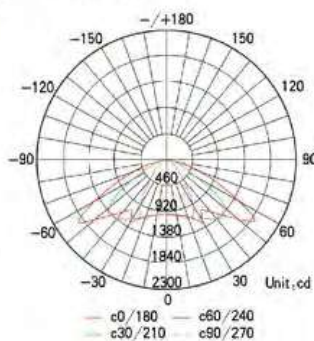
PIR Sensor



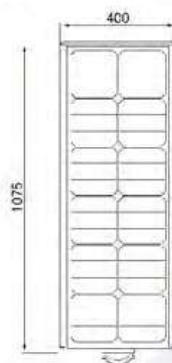
### Parameters

Item No.	PV-A10006
Solar Panel	18V/70W Monocrystalline Solar Panel, Grade A
LED	40W, 40*40mil Epistar Chip
Lifespan of LED	More Than 50,000 Hours
Luminous Flux	4400lm ~ 5200lm
Beam Angle	65° *130°
Color Temperature	3000K ~ 7500K
Battery Type	Li-ion Lithium Battery / LiFePO <sub>4</sub> Lithium Battery
Battery Capacity	12V, 45AH / 12.8V, 24AH
Discharging Time	18h (100% power), 42h (energy-saving mode)
Charging Time	8h (AM1.5, 1000W/m <sup>2</sup> , 25°C)
Working Temperature	-25°C ~ 55°C
Diameter of Mounted Lamppost	76 ~ 89mm
Mounting Height	5 ~ 7m
Mounting Space	15 ~ 25m
Material	6063 Aluminum, PC
Package Size	1090*460*200mm
Net Weight	17.4KG
Gross Weight	19.1KG
Control Mode	Light, Time and PIR Remote Control
Package Quantity	275 sets/20' GP, 550 sets/40' GP

### Light spectrum



### Size chart





# PV-A10007

# SOLARHOUSE

## Integrated Solar Street Light

Solar Panel

80W Monocrystalline A Grade solar panel, high efficiency solar cells, high fill factor module.

Battery

High performance lithium battery with 3-5 rainy day's back-up. Hermetically-sealed & waterproof protection cover.

Connector

Waterproof connector for street light exclusive use.

Switch

Stainless steel waterproof switch.

Sensor

IP67 protection grade, PIR remote control. Customizable & adjustable.

LED

50W EPISTAR LED chips (60pcs, 40\*40mil), 130lm/W high luminous efficacy. Golden wire, BSOB wire bond, High quality waterproof silicone gasket.

Controller

IP67 protection grade. Time+light+PIR control. \*In areas which are tree-shaded or lack of sunshine, we suggest to use DC&AC complementary controller.

Radiator

Customized finned radiator, larger heat-radiation space, extending the lifespan of high-power LED chips.



**IP 65**



**RoHS**

# PV-A10007

# SOLARHOUSE

## Integrated Solar Street Light

# 50 Watts



Lithium Battery



Remote Control



No Trenching



No Cabling



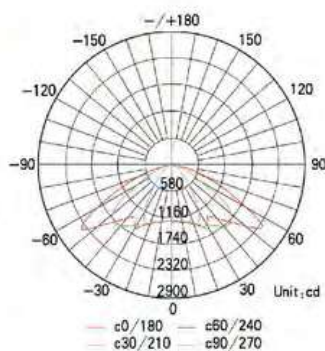
PIR Sensor



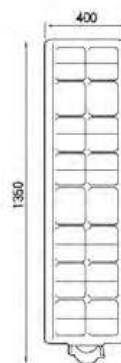
### Parameters

Item No.	PV-A10007
Solar Panel	18V/80W Monocrystalline Solar Panel, Grade A
LED	50W, 40*40mil Epistar Chip
Lifespan of LED	More Than 50,000 Hours
Luminous Flux	5500lm ~ 6500lm
Beam Angle	65° *130°
Color Temperature	3000K ~ 7500K
Battery Type	Li-ion Lithium Battery / LiFePO <sub>4</sub> Lithium Battery
Battery Capacity	12V, 55AH / 12.8V, 36AH
Discharging Time	18h (100% power), 42h (energy-saving mode)
Charging Time	9h (AM1.5, 1000W/m <sup>2</sup> , 25°C)
Working Temperature	-25°C ~ 55°C
Diameter of Mounted Lamppost	76 ~ 89mm
Mounting Height	5 ~ 8m
Mounting Space	20 ~ 30m
Material	6063 Aluminum, PC
Package Size	1415*460*200mm
Net Weight	20.8KG
Gross Weight	22.8KG
Control Mode	Light, Time and PIR Remote Control
Package Quantity	220 sets/20' GP, 440 sets/40' GP

### Light spectrum



### Size chart





# PV-A10008

# SOLARHOUSE

## Integrated Solar Street Light

Solar Panel

80W Monocrystalline A Grade solar panel, high efficiency solar cells, high fill factor module.

Battery

High performance lithium battery with 3-5 rainy day's back-up. Hermetically-sealed & waterproof protection cover.

Connector

Waterproof connector for street light exclusive use.

Switch

Stainless steel waterproof switch.

Sensor

IP67 protection grade, PIR remote control, Customizable & adjustable.

LED

60W EPISTAR LED chips (60pcs, 40\*40mil), 130lm/W high luminous efficacy, Golden wire, BSOB wire bond, High quality waterproof silicone gasket.

Controller

IP67 protection grade, Time+light+PIR control. \*In areas which are tree-shaded or lack of sunshine, we suggest to use DC&AC complementary controller.

Radiator

Customized finned radiator, larger heat-radiation space, extending the lifespan of high-power LED chips.



IP 65



RoHS



# PV-A10008

**SOLARHOUSE**

Integrated Solar Street Light

**60**  
Watts



Lithium Battery



Remote Control



No Trenching



No Cabling



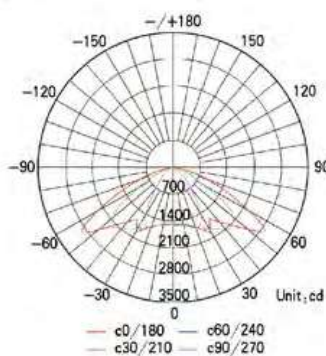
PIR Sensor



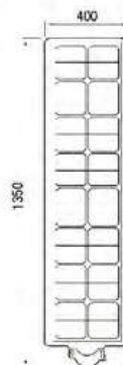
## Parameters

Item No.	PV-A10008
Solar Panel	18V/80W Monocrystalline Solar Panel, Grade A
LED	60W, 40*40mil Epistar Chip
Lifespan of LED	More Than 50,000 Hours
Luminous Flux	6600lm ~ 7800lm
Beam Angle	65° * 130°
Color Temperature	3000K ~ 7500K
Battery Type	Li-ion Lithium Battery / LiFePO <sub>4</sub> Lithium Battery
Battery Capacity	12V, 65AH / 12.8V, 42AH
Discharging Time	18h (100% power), 42h (energy-saving mode)
Charging Time	10h (AM1.5, 1000W/m <sup>2</sup> , 25°C)
Working Temperature	-25°C ~ 55°C
Diameter of Mounted Lamppost	76 ~ 89mm
Mounting Height	5 ~ 8m
Mounting Space	20 ~ 30m
Material	6063 Aluminum, PC
Package Size	1415*460*200mm
Net Weight	21.4KG
Gross Weight	23.4KG
Control Mode	Light, Time and PIR Remote Control
Package Quantity	220 sets/20' GP, 440 sets/40' GP

## Light spectrum



## Size chart



# PV-A10009

# SOLARHOUSE

## Integrated Solar Street Light

Solar Panel

130W Monocrystalline A Grade solar panel high efficiency solar cells, high fill factor module.

Battery

High performance lithium battery with 3-5 rainy day's back-up. Hermetically-sealed & waterproof protection cover.

Connector

Waterproof connector for street light exclusive use.

Switch

Stainless steel waterproof switch.

Sensor

IP67 protection grade, PIR remote control. Customizable & adjustable.

LED

80W EPISTAR LED chips (60pcs, 40\*40mil), 130lm/W high luminous efficacy. Golden wire, BSOB wire bond, High quality waterproof silicone gasket.

Controller

IP67 protection grade. Time+light+PIR control. \*In areas which are tree-shaded or lack of sunshine, we suggest to use DC&AC complementary controller.

Radiator

Customized finned radiator, larger heat-radiation space, extending the lifespan of high-power LED chips.



**IP 65**



**RoHS**



# PV-A10009

**SOLARHOUSE**

Integrated Solar Street Light

**80**  
Watts



Lithium Battery



Remote Control



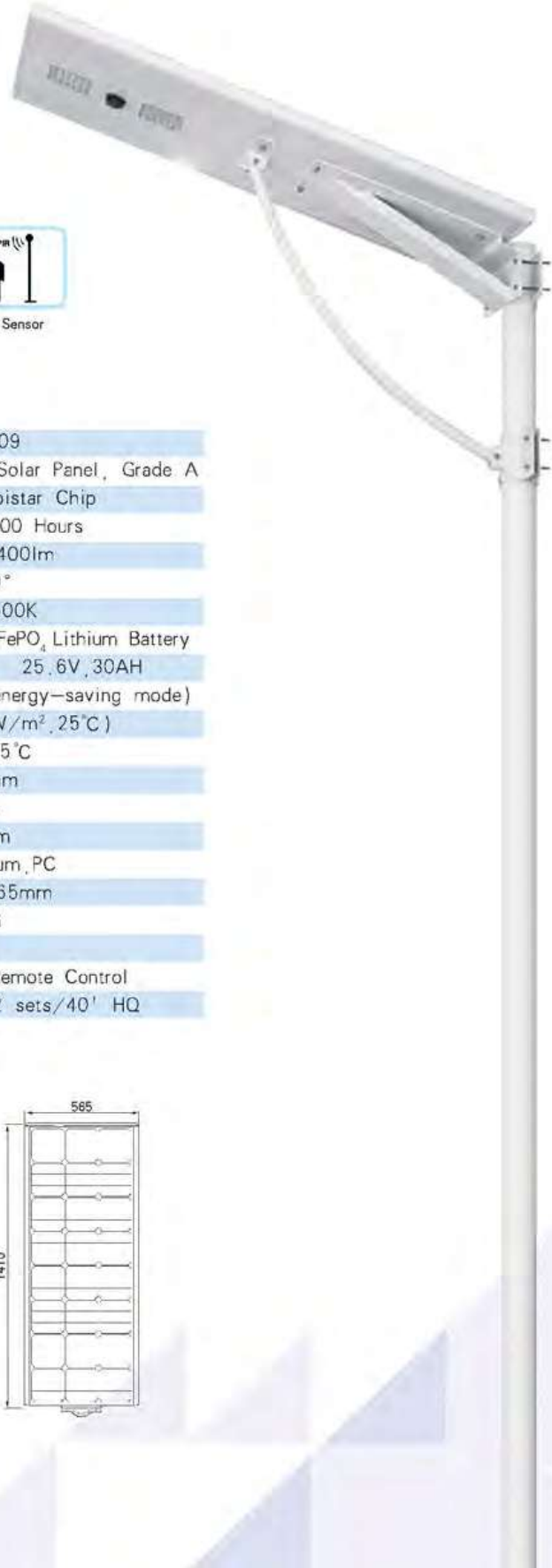
No Trenching



No Cabling



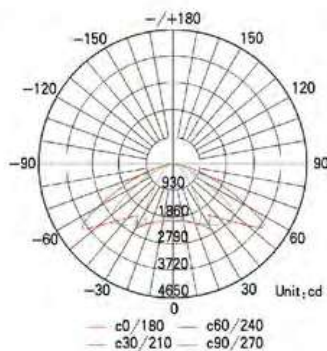
PIR Sensor



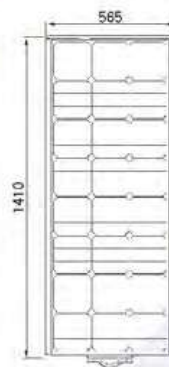
## Parameters

Item No.	PV-A10009
Solar Panel	36V/130W Monocrystalline Solar Panel, Grade A
LED	80W, 40*40mil Epistar Chip
Lifespan of LED	More Than 50,000 Hours
Luminous Flux	8800lm ~ 10400lm
Beam Angle	65° * 130°
Color Temperature	3000K ~ 7500K
Battery Type	Li-ion Lithium Battery / LiFePO <sub>4</sub> Lithium Battery
Battery Capacity	24V, 40AH / 25.6V, 30AH
Discharging Time	18h (100% power), 42h (energy-saving mode)
Charging Time	10h (AM1.5, 1000W/m <sup>2</sup> , 25°C)
Working Temperature	-25°C ~ 55°C
Diameter of Mounted Lamppost	76 ~ 89mm
Mounting Height	6 ~ 9m
Mounting Space	20 ~ 30m
Material	6063 Aluminum, PC
Package Size	1470*625*265mm
Net Weight	41.5KG
Gross Weight	47KG
Control Mode	Light, Time and PIR Remote Control
Package Quantity	112 sets/20' GP, 272 sets/40' HQ

## Light spectrum



## Size chart





# PV-SL001

**SOLARHOUSE**

Solar Street Light



## Parameters

Item No.	PV-SL001
Solar Panel	18V/50W Monocrystalline Solar Panel, Grade A
LED	15W, 10*18mil Epistar Chip
Lifespan of LED	More Than 50,000 Hours
Luminous Flux	1500lm ~ 1650lm
Color Temperature	3000K ~ 7500K
Beam Angle	120°
Battery	12V 50AH, Gel Battery
Discharging Time	24 hours (100% power)
Charging Time	6h (AM1.5, 1000W/m <sup>2</sup> , 25°C)
Material	6063 Aluminum, Glass
Working Temperature	-20°C ~ 50°C
Protection Grade	IP65
Control Mode	Light and Time Control

## Rendering



# PV-SL002

**SOLARHOUSE**

Solar Street Light



## Parameters

Item No.	PV-SL002
Solar Panel	18V/120W Monocrystalline Solar Panel, Grade A
LED	45W, 18pcs PHILIPS LUXEON T LED Lamp
Lifespan of LED	More Than 50,000 Hours
Luminous Flux	4500lm ~ 4950lm
Color Temperature	3000K ~ 7500K
Beam Angle	65° *130°
Battery	12V 150AH, Gel Battery
Discharging Time	24 hours (100% power)
Charging Time	10h (AM1.5, 1000W/m <sup>2</sup> , 25°C)
Material	6063 Aluminum, Glass
Working Temperature	-20°C ~ 50°C
Levels of protection	IP65
Control Mode	Light and Time Control

## Rendering



# SOLARHOUSE





# SOLARHOUSE

